

**Thorax**

**Thorax**

**Thorax**

**TX**



With eccentric sliding blade



TX-1002-19 19 cm/7.6"  
TX-1002-23 23 cm/9.2"

**Plain**  
22 cm/8.8"  
TX-1005-22

**Gluck**  
22 cm/8.8"  
TX-1007-22

**Collin**  
19,5 cm/7.8"  
TX-1011-19

**Stille**  
21 cm/8.4"  
TX-1101-21



1/3

**Coryllos-Bethune**  
35 cm/14"  
TX-1203-35



1/3

**Coryllos-Bethune**  
35 cm/14"  
TX-1205-35



1/3

**Bethune**  
34 cm/13.6"  
TX-1206-34



**Cooley**  
35 cm/14"  
TX-1208-35



⅓

**Sauerbruch**

26 cm/10.4"

TX-1301-26



⅓

**Still-Giertz**

27 cm/10.8"

TX-1307-27



**Lebsche**

25 cm/10"

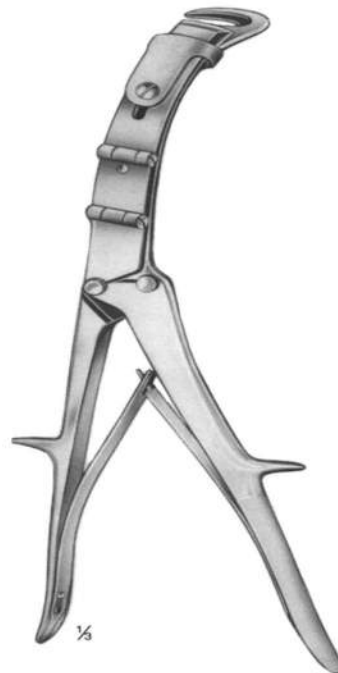
TX-1405-25



**Sauerbruch-frey**

36 cm/14.4"

TX-1401-36



⅓

**Brunner**

32 cm/12.8"

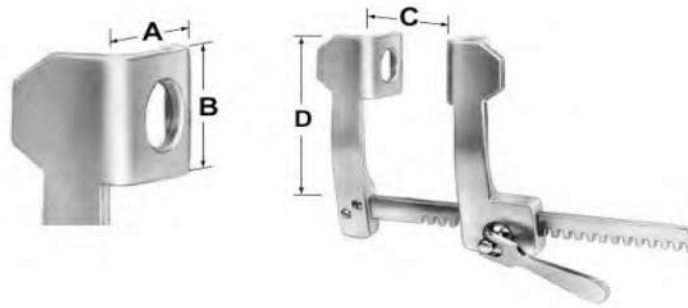
TX-1407-32



**Schumacher**

21 cm/8.4"

TX-1408-21



### Finochietto

For adults	A	B	C	D
TX-2100-16	40 mm	40 mm	165 mm	110 mm
TX-2100-20	45 mm	65 mm	200 mm	140 mm
TX-2100-25	70 mm	65 mm	250 mm	140 mm
TX-2100-30	70 mm	65 mm	300 mm	140 mm



### Finochietto-modified Aluminum

For babies	A	B	C	D
TX-2102-12	14 mm	20 mm	120 mm	105 mm



### Finochietto-Baby

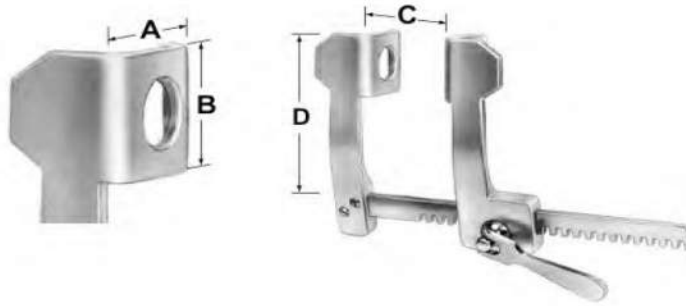
For babies	A	B	C	D
TX-2104-75	14 mm	15 mm	75 mm	55 mm



### Finochietto-Baby-Haight Aluminum

For Children	A	B	C	D
TX-2302-10	27 mm	31 mm	100 mm	80 mm

### Aluminium



### Cooley

		A	B	C	D
For babies	TX-2200-01	12 mm	17 mm	95 mm	55 mm
For children	TX-2200-02	15 mm	30 mm	140 mm	80 mm
	TX-2200-07	29 mm	34 mm	140 mm	110 mm



### Cooley

Neonatal	A	B	C	D
TX-2200-05	10 mm	15,5 mm	75 mm	55 mm



### Cooley

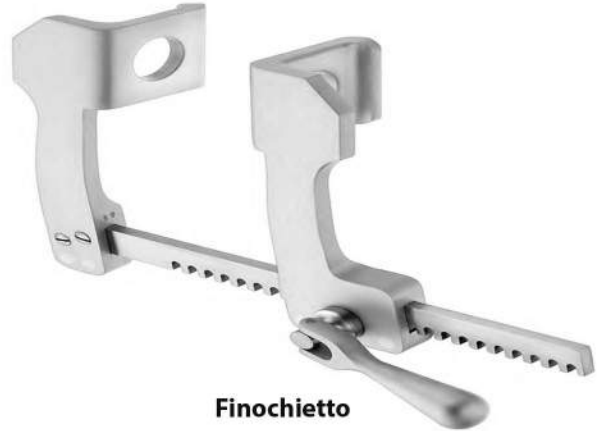
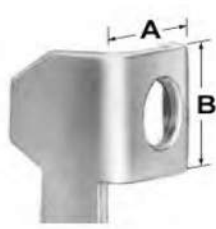
Babies	A	B	C	D
TX-2200-06	20 mm	24 mm	100 mm	80 mm



### Cooley

Children	A	B	C	D
TX-2200-03	22 mm	45 mm	150 mm	110 mm
Adults				
TX-2200-04	34 mm	51 mm	200 mm	145 mm
TX-2200-08	34 mm	100 mm	180 mm	180 mm
Adults with suture separator				
TX-2200-09	34 mm	100 mm	180 mm	180 mm
Adults extra large				
TX-2200-10	34 mm	115 mm	230 mm	205 mm

### Aluminium



#### Finochietto

For babies	A	B	C	D
TX-2304-40	12 mm	15 mm	100 mm	55 mm
TX-2304-75	12 mm	15 mm	75 mm	55 mm

#### Finochietto

Pour enfants	A	B	C	D
TX-2304-41	28 mm	30 mm	143 mm	80 mm
TX-2304-42	31 mm	45 mm	210 mm	110 mm

Pour adultes

TX-2304-43	42 mm	62 mm	245 mm	145 mm
TX-2304-44	74 mm	64 mm	250 mm	145 mm



#### Finochietto -Burford

For adults	A	B	C	D
TX-2402-18	43/63 mm	61 mm	200 mm	200 mm
TX-2402-26	43/63 mm	61 mm	260 mm	200 mm
TX-2402-30	43/63 mm	61 mm	300 mm	200 mm

#### Finochietto -Burford-Baby

For children	A	B	C	D
TX-2404-43	33/43 mm	43 mm	135 mm	118 mm



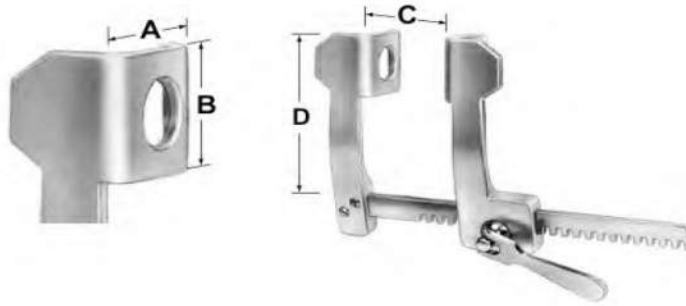
With 2 paris of blades

pairs of blades	A	B
TX-2402-98	43 mm	61 mm
TX-2402-99	63 mm	61 mm



With 2 paris of blades

	A	B
TX-2404-98	33 mm	43 mm
TX-2404-99	43 mm	43 mm



**DeBakey**

	C	D
TX-2308-00	150 mm	120 mm

Retractor complete with 3 Pairs of blades

	C	D
TX-2308-01	150 mm	120 mm

Retractor Only

**Pairs of blades**



TX-2308-02



TX-2308-03



TX-2308-04

Pairs of blades	A	B
TX-2308-02	60 mm	60 mm
TX-2308-03	50 mm	80 mm
TX-2308-04	40 mm	100 mm
TX-2308-05	80 mm	60 mm
TX-2308-06	50 mm	66 mm

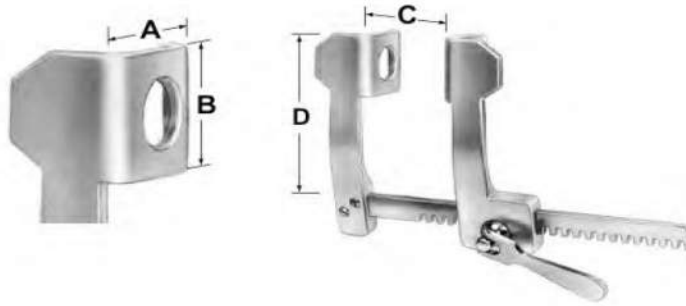


TX-2308-05



TX-2308-06

### Aluminium



**Castaneda**



**Castaneda**

Neonatal	A	B	C	D
TX-2500-06	9 mm	34 mm	70 mm	55 mm

For babies	A	B	C	D
TX-2500-07	11 mm	45 mm	80 mm	80 mm



**Castaneda**

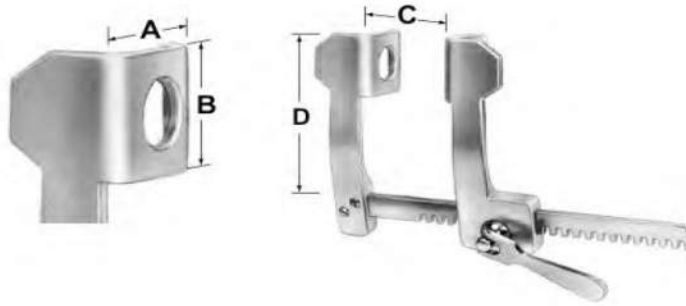


**Weinberg**

For children	A	B	C	D
TX-2500-12	15 mm	60 mm	120 mm	125 mm

For children	A	B	C	D
TX-2501-01	12 mm	20 mm	95 mm	75 mm

For children



**Haigt**

	A	B	C	D
TX-2600-09	30 mm	30 mm	115 mm	90 mm
TX-2600-15	30 mm	30 mm	90 mm	70 mm



	A	B	C	D
TX-2602-12	28 mm	32 mm	120 mm	140 mm



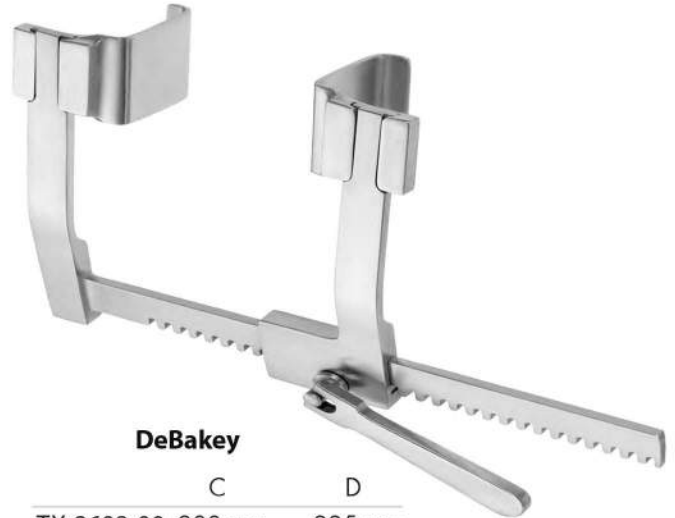
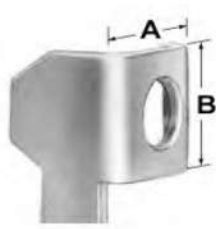
**Tuffier**

	A	B	C	D
TX-2604-14	32 mm	19 mm	145 mm	90 mm



**Tuffier**

	A	B	C	D
TX-2604-16	50 mm	45 mm	165 mm	110 mm



**DeBakey**

**DeBakey**

	C	D
TX-2606-00	150 mm	180 mm

	C	D
TX-2608-00	200 mm	225 mm

For adults with 3 pairs of blades :  
(TX-2606-30-TX-2606-40-TX-2606-50)

For adults with 3 pairs of blades :  
(TX-2608-40-TX-2608-50-TX-2608-60)

	C	D
TX-2606-09	150 mm	180 mm

	C	D
TX-2608-22	200 mm	225 mm

Retractor only

Retractor only

**pairs of blades**

**pairs of blades**



TX-2606-30

TX-2606-40

TX-2608-40

TX-2608-50



TX-2608-60



TX-2606-50

TX-2606-66

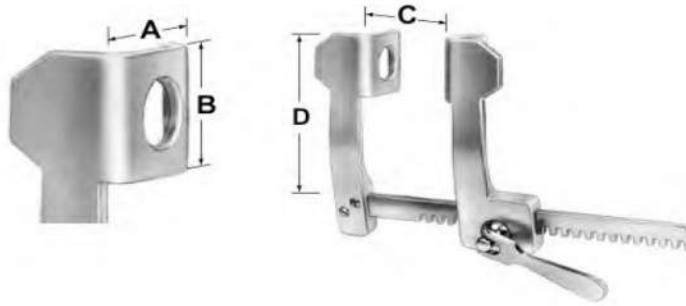
TX-2608-66

TX-2608-80

	A	B
TX-2606-30	30 mm	30 mm
TX-2606-40	40 mm	40 mm
TX-2606-50	50 mm	50 mm
TX-2606-66	66 mm	66 mm

	A	B
TX-2608-40	40 mm	100 mm
TX-2608-50	50 mm	80 mm
TX-2608-60	60 mm	60 mm
TX-2608-66	66 mm	66 mm
TX-2608-80	80 mm	60 mm

## Mammaria Retractors



	C	D
TX-2200-60	215 mm	140 mm

Complete

	C	D
TX-2200-61	215 mm	140 mm

Retractor only



	A	B
TX-2200-62	30 mm	50 mm

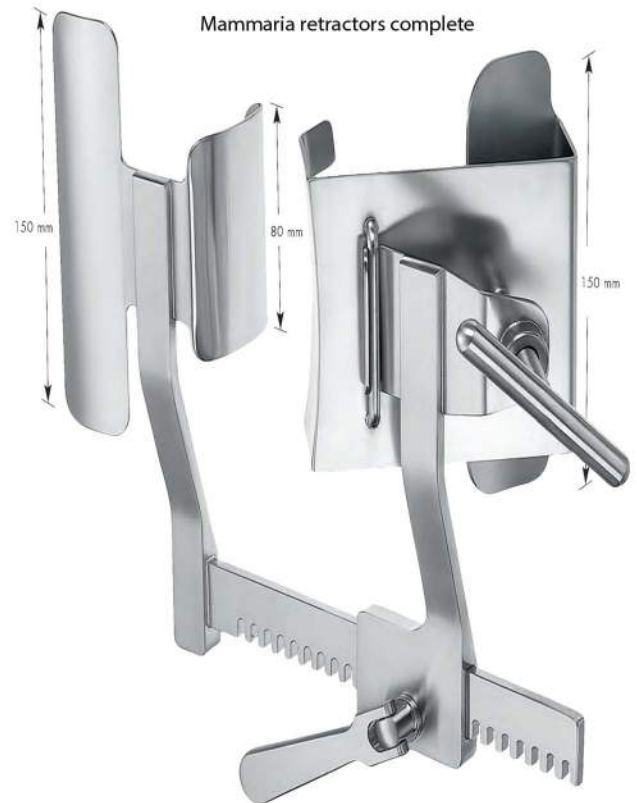
Mammaria blade complete  
with holding left&right

## Sternum blades



	A	B
TX-2200-63	30 mm	100 mm
TX-2200-64	40 mm	100 mm

## Mammaria retractors complete

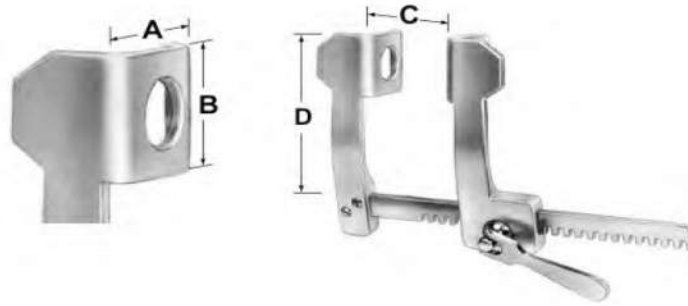


	A	B	C
TX-2609-10	40 mm	100 mm	110 mm

## IMA Epicardial retractor



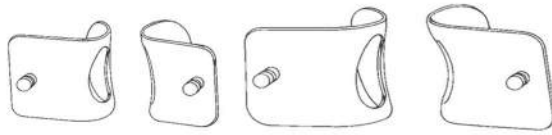
mini	TX-6001-25	25 mm
small	TX-6001-28	28 mm
medium	TX-6001-38	38 mm
large	TX-6001-54	54 mm



**Mercedes**

TX-2700-00 (Complete with 2 paires of blades)

TX-2710-10 (Retractor only)



42x65 mm

75x75 mm

A

B

TX-2700-48	48 mm	68 mm
------------	-------	-------

TX-2700-70	70 mm	75 mm
------------	-------	-------

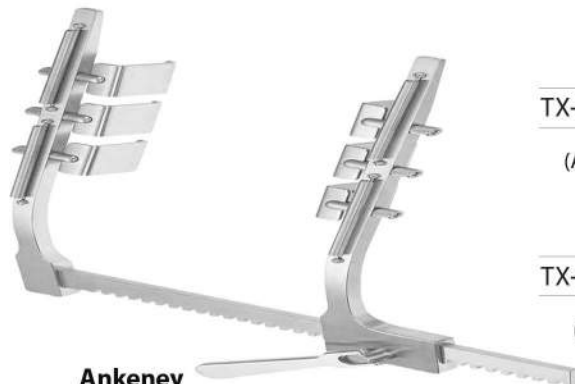


**Ankeney**

Aluminium

	A	B	C	D
TX-2707-00	25 mm	19 mm	127 mm	114 mm

(Child size with 4 fixed blades)



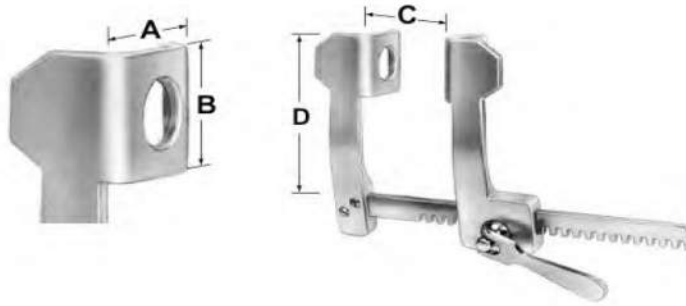
**Ankeney**

	A	B	C	D
TX-2704-00	32 mm	35 mm	178 mm	292 mm

(Adult size with 6 detachable blades)

	A	B
TX-2704-01	52 mm	35 mm

(Set of 6 blades only)



**Finochietto Burford**

Adult	A	B	C	D
TX-2306-21	48/77 mm	64 mm	210 mm	195 mm
TX-2306-25	48/77 mm	64 mm	250 mm	195 mm
TX-2306-30	48/77 mm	64 mm	300 mm	195 mm

with 2 pairs of blades



**Finochietto Burford**

Adult	C	D
TX-2405-01	220 mm	300 mm

with 2 pairs of blades  
(TX-2405-02-TX-2405-03)

**Blades**



TX-2405-02



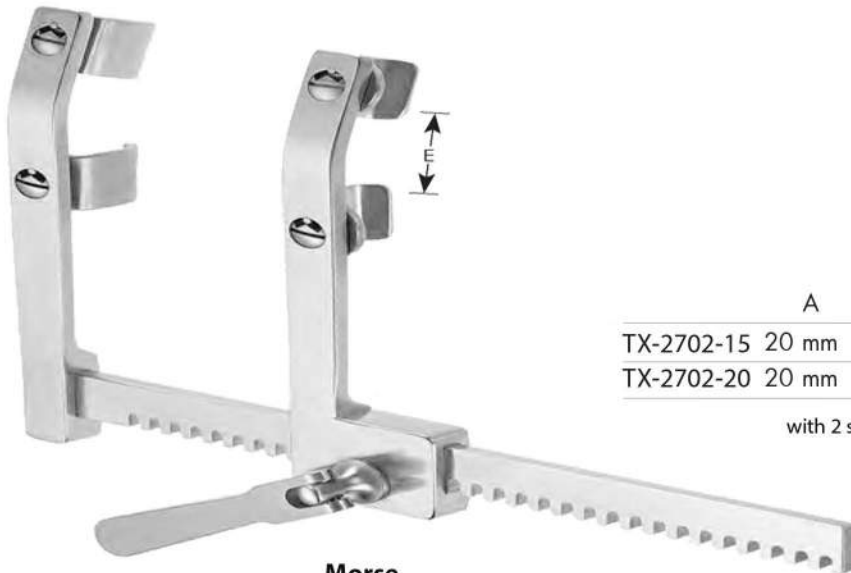
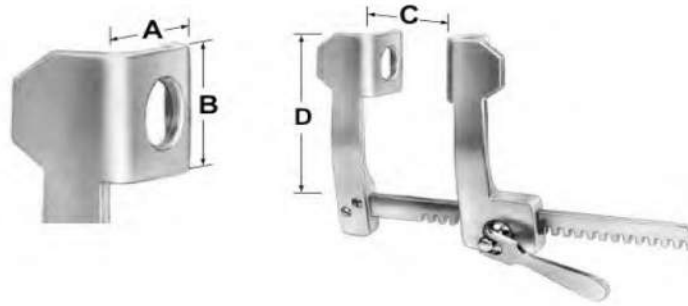
TX-2405-03



TX-2405-04



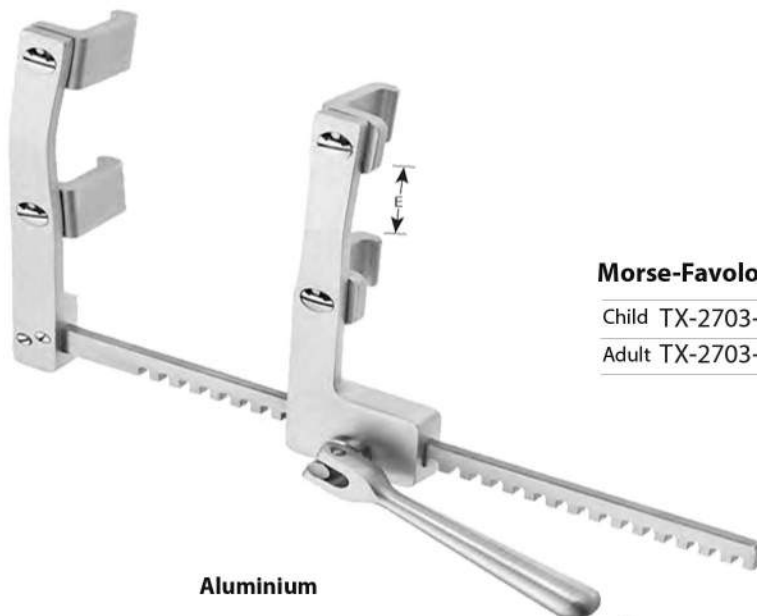
TX-2405-05



	A	B	C	D	E
TX-2702-15	20 mm	20 mm	160 mm	120 mm	50 mm
TX-2702-20	20 mm	28 mm	200 mm	150 mm	72 mm

with 2 swivel of blades

**Morse**



<b>Morse-Favoloro</b>	A	B	C	D	E
Child TX-2703-16	17 mm	22 mm	160 mm	120 mm	50 mm
Adult TX-2703-15	40 mm	20 mm	155 mm	175 mm	65 mm

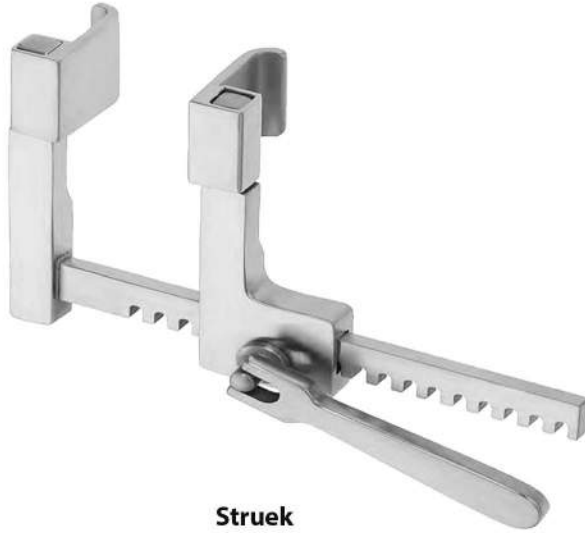
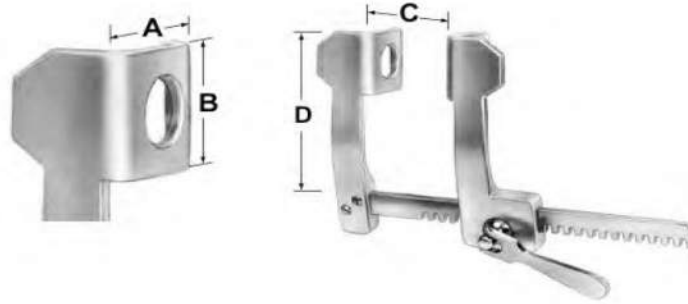
with 2 swivel of blades

**Aluminium**

<b>Morse</b>	A	B	C	D	E
Child TX-2703-20	20 mm	20 mm	155 mm	120 mm	50 mm
Adult TX-2703-19	20 mm	28 mm	210 mm	155 mm	155 mm
Adult TX-2703-30*	30 mm	35 mm	200 mm	195 mm	42 mm

\*TX-2703-30 with 3 swivel of blades

### For Infants



#### Struek

	C	D
TX-2712-00	70 mm	64 mm

Complete with 2 pairs of blades  
(TX-2712-01 - TX-2712-04)

	C	D
TX-2508-01	70 mm	64 mm

Retractor only



TX-2712-01

TX-2712-02



TX-2712-03



TX-2712-04



TX-2508-11

pairs of blades

	A	B
TX-2712-01	15 mm	20 mm
TX-2712-02	10 mm	15 mm
TX-2712-03	10 mm	20 mm
TX-2712-04	20 mm	20 mm
TX-2508-11	10 mm	10 mm

### For Adults



#### Dubost

	C	D
TX-2718-00	160 mm	140 mm

Complete with 2 pairs of blades  
(TX-2718-01 - TX-2718-02-TX-2718-03)



TX-2718-01



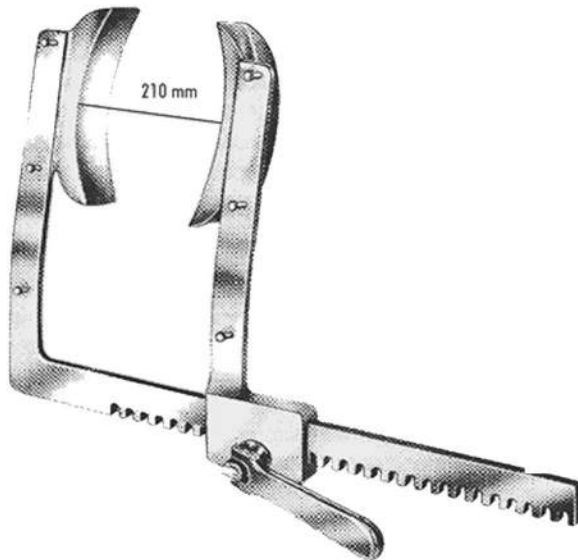
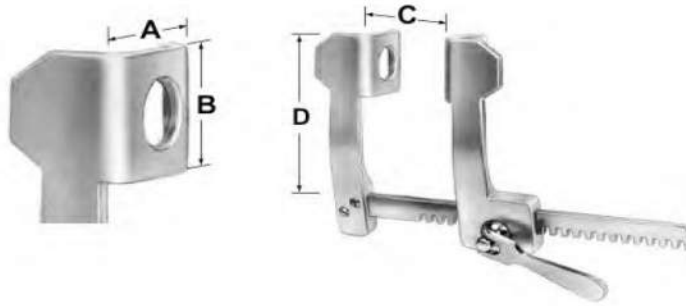
TX-2718-02



TX-2718-03

pairs of blades

	A	B
TX-2718-01	40 mm	100 mm
TX-2718-02	50 mm	100 mm
TX-2718-03	60 mm	100 mm



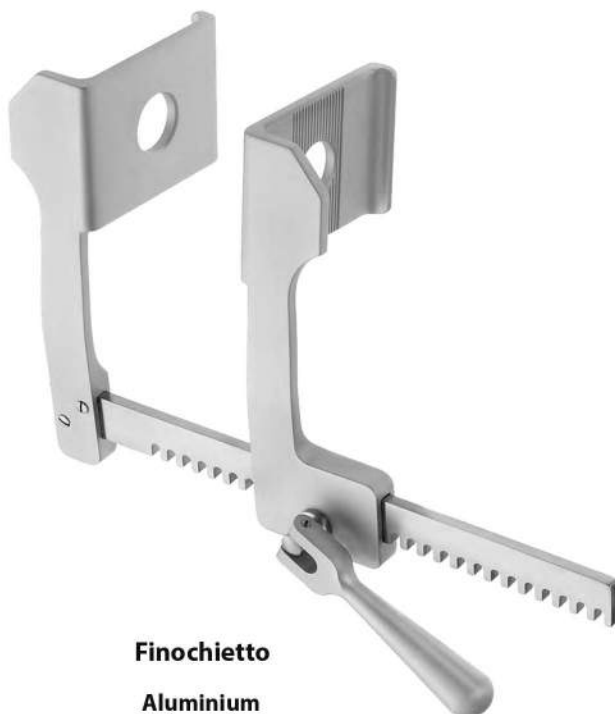
**Chevalier De Boer**

TX-2720-00



**Hertzler**

	A	B	C	D
TX-2708-00	20 mm	25 mm	105 mm	90 mm



**Finochietto**

Aluminium

	A	B	C	D
TX-2300-13	30 mm	45 mm	145 mm	110 mm

For adults small model

	A	B	C	D
TX-2300-16	42 mm	62 mm	180 mm	145 mm

For adults with suture separator

	A	B	C	D
TX-2300-17	42 mm	62 mm	180 mm	145 mm

For adults

	A	B	C	D
TX-2300-18	80 mm	65 mm	180 mm	145 mm

For adults extra large

Rib spreader and contractor

Sternal Approximator



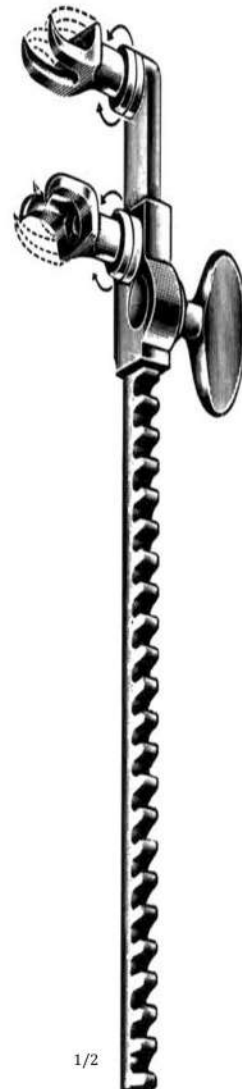
**Bailey-Baby**  
 14,5 cm/5.8"  
 TX-2802-14



**Bailey**  
 16 cm/4.6"  
 TX-2804-16



**Bailey-Gibbon**  
 16 cm/4.6"  
 TX-2806-16

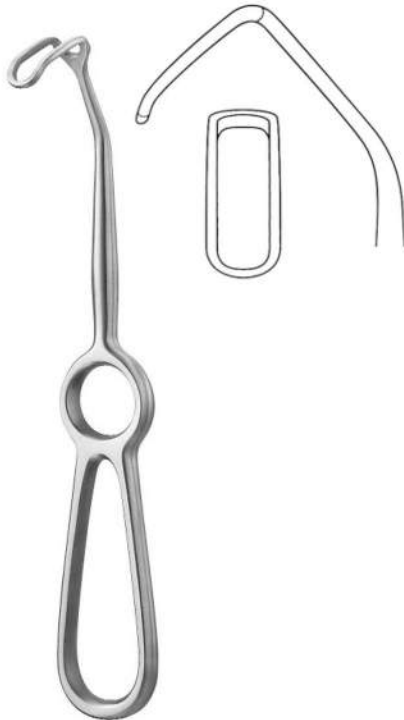


**Sellors**  
 19 cm/7.6"  
 TX-2800-19



**Lemmon**  
 14 cm/5.6" TX-2808-14  
 18 cm/7.2" TX-2808-18

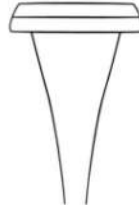
### Decompression Hook



**Cushing**  
20 cm/8"  
SE-2304-20



**Oldberg**



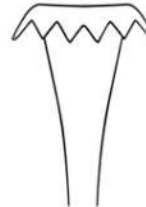
19 mm  
SE-2305-00



13 mm  
SE-2305-03



15 mm  
SE-2305-04



19 mm  
SE-2305-06



**Crawford**  
19 cm/7.6"

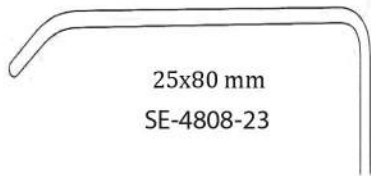


15x16 mm  
TX-2308-01

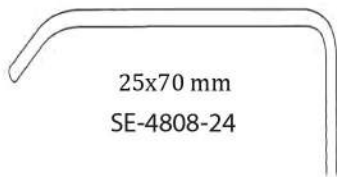


15x16 mm  
TX-2308-02

### Thorax retractors



25x80 mm  
SE-4808-23

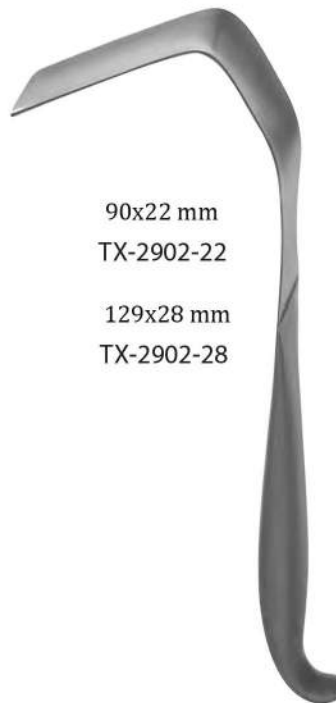


25x70 mm  
SE-4808-24



**Hibbs**  
24cm/9.6"

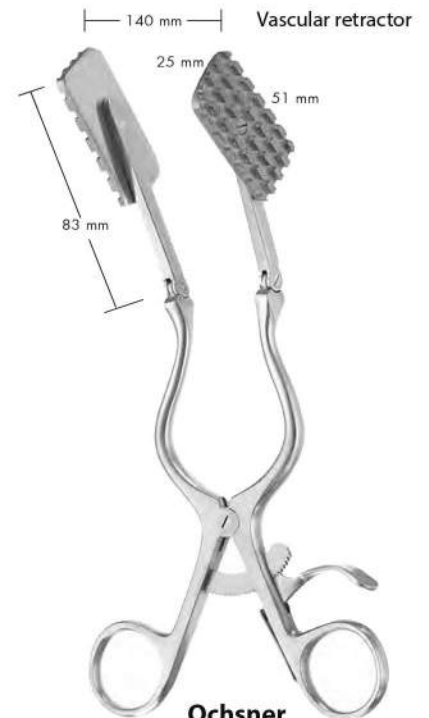
black chromium-plated



90x22 mm  
TX-2902-22

129x28 mm  
TX-2902-28

**Tessier**  
20,5 cm/8"



140 mm Vascular retractor

25 mm  
51 mm  
83 mm

**Ochsner**  
SE-8503-20 20 cm/8"

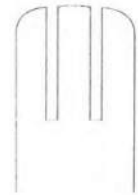
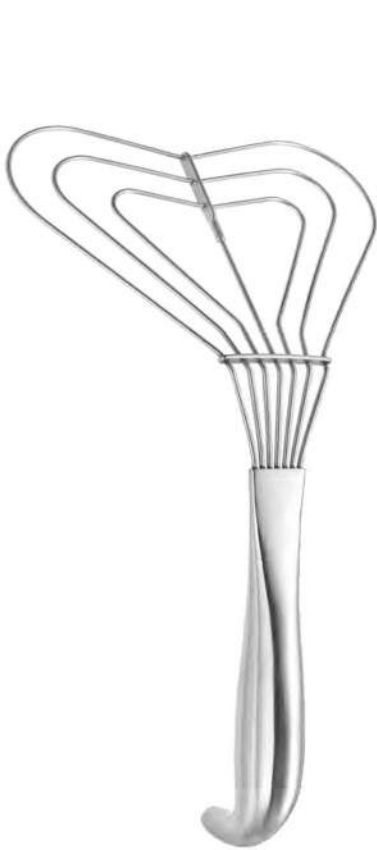


Fig.1  
20 mm  
TX-2907-01

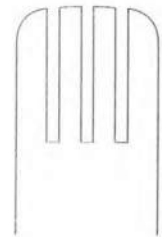


Fig.2  
24 mm  
TX-2907-02

### Allison

### Semb

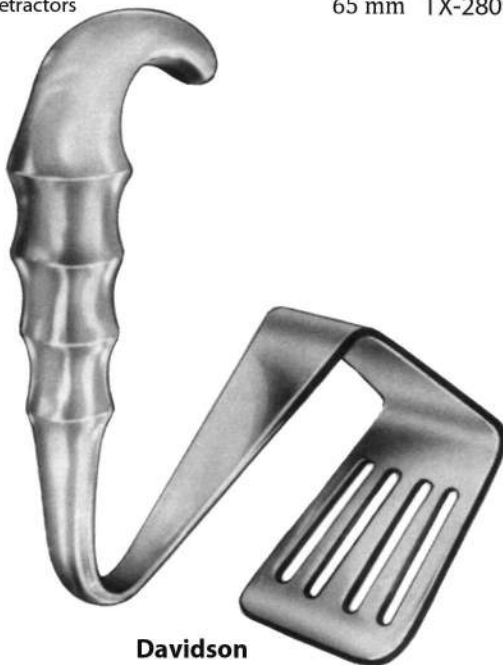
137 mm TX-2808-30 30 cm/12"  
132 mm TX-2809-26 26 cm/10.4"

30 mm TX-2809-28 28cm/11"  
40 mm TX-2809-30 30 cm/12"  
54 mm TX-2809-31 32 cm/12.8"  
65 mm TX-2809-32 32 cm/12.8"

25 cm/10"

### Scapula Retractors

### Lung Spatula



### Davidson

SE-4906-50 50x75 mm  
SE-4906-90 90x75 mm



### SE-4909-00

205x29 mm 26 cm/10.4"

Right



**Cooley**

TX-2800-01

48x48 mm 25 cm/10"

Right, serrated



**Cooley**

TX-2800-02

48x48 mm 25 cm/10"

Left



**Cooley**

TX-2800-03

30x48 mm 27,5 cm/11"

Serrated



TX-2903-04

45x35 mm 25 cm/10"



**Cooley-modified (struck)**

TX-2903-05

45x30 mm 25 cm/10"

Flexible shaft



**Ross**

25,5 cm/10.2"



Fig.1

16x15 mm

TX-2810-01



Fig.2

23x13 mm

TX-2810-02



Fig.3

25x18 mm

TX-2810-03



Fig.4

29x13 mm

TX-2810-04



Fig.5

29x29 mm

TX-2810-05



Fig.6

21x35 mm

TX-2810-06



**Borowski**

27 cm/10.8"



17x21 mm

TX-2905-01



16x23 mm

TX-2905-02



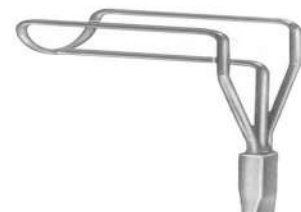
20x25 mm

TX-2905-03



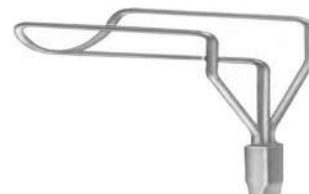
24x27 mm

TX-2905-04



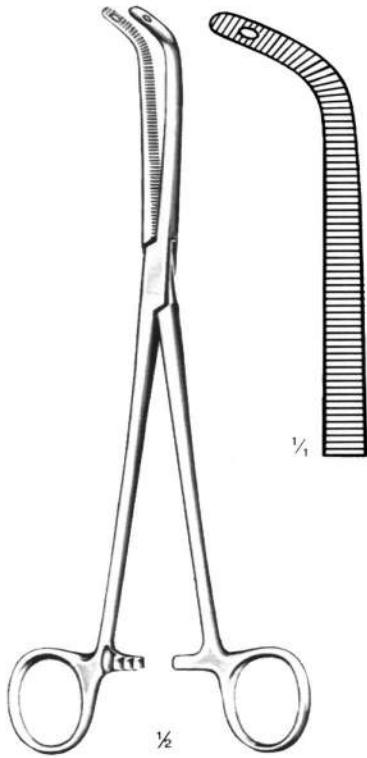
28x20 mm

TX-2905-05



28x29 mm

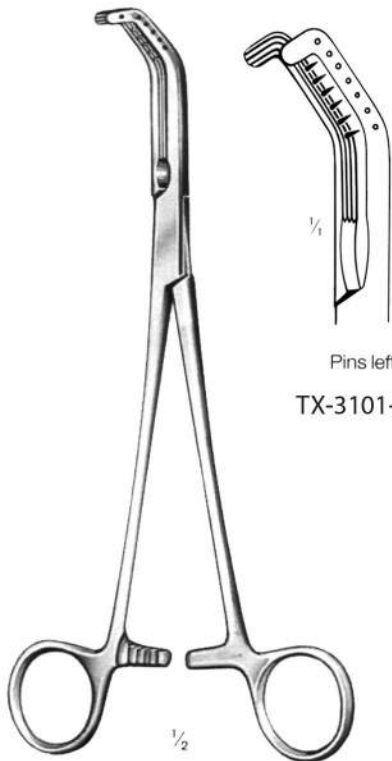
TX-2905-06



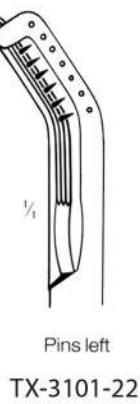
Finocchietto  
24cm/9.6"  
TX-3007-24



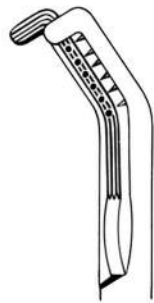
Price-Thomas  
22 cm/8.8"  
TX-3009-22



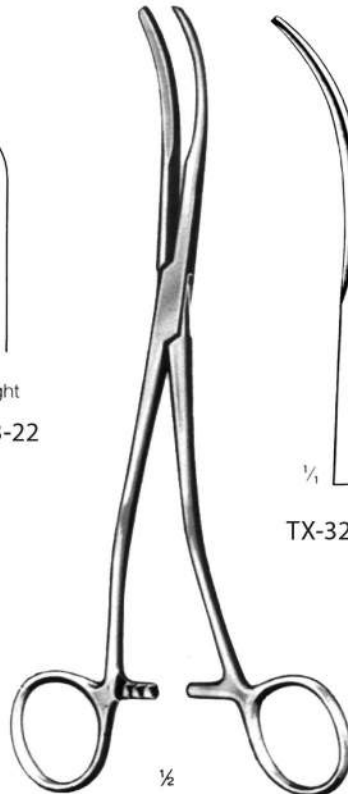
Price-Thomas  
22 cm/8.8"



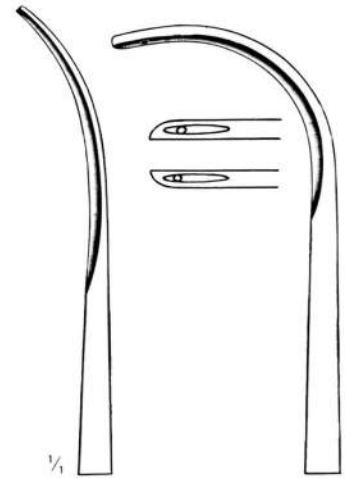
Pins left  
TX-3101-22



Pins right  
TX-3103-22



Semb  
24cm/9.6"



TX-3201-23



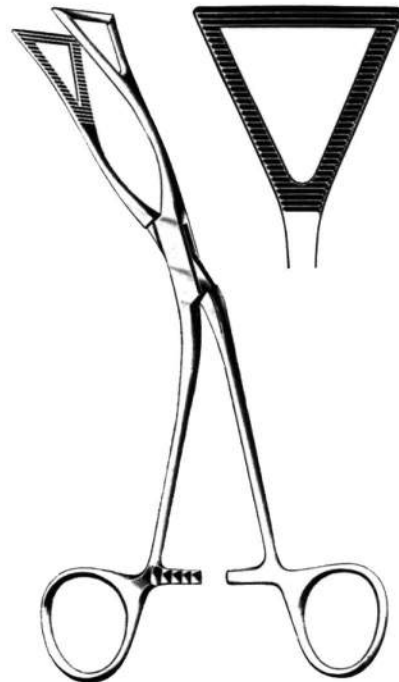
TX-3203-23



**Lovelace**

20 cm/8"

TX-2900-20



**Lovelace**

20 cm/8"

TX-2901-20



**Harrington**

30,5 cm/12"

TX-3001-30



**Harrington**

29cm/11.6"

TX-3003-29



**Sarot**

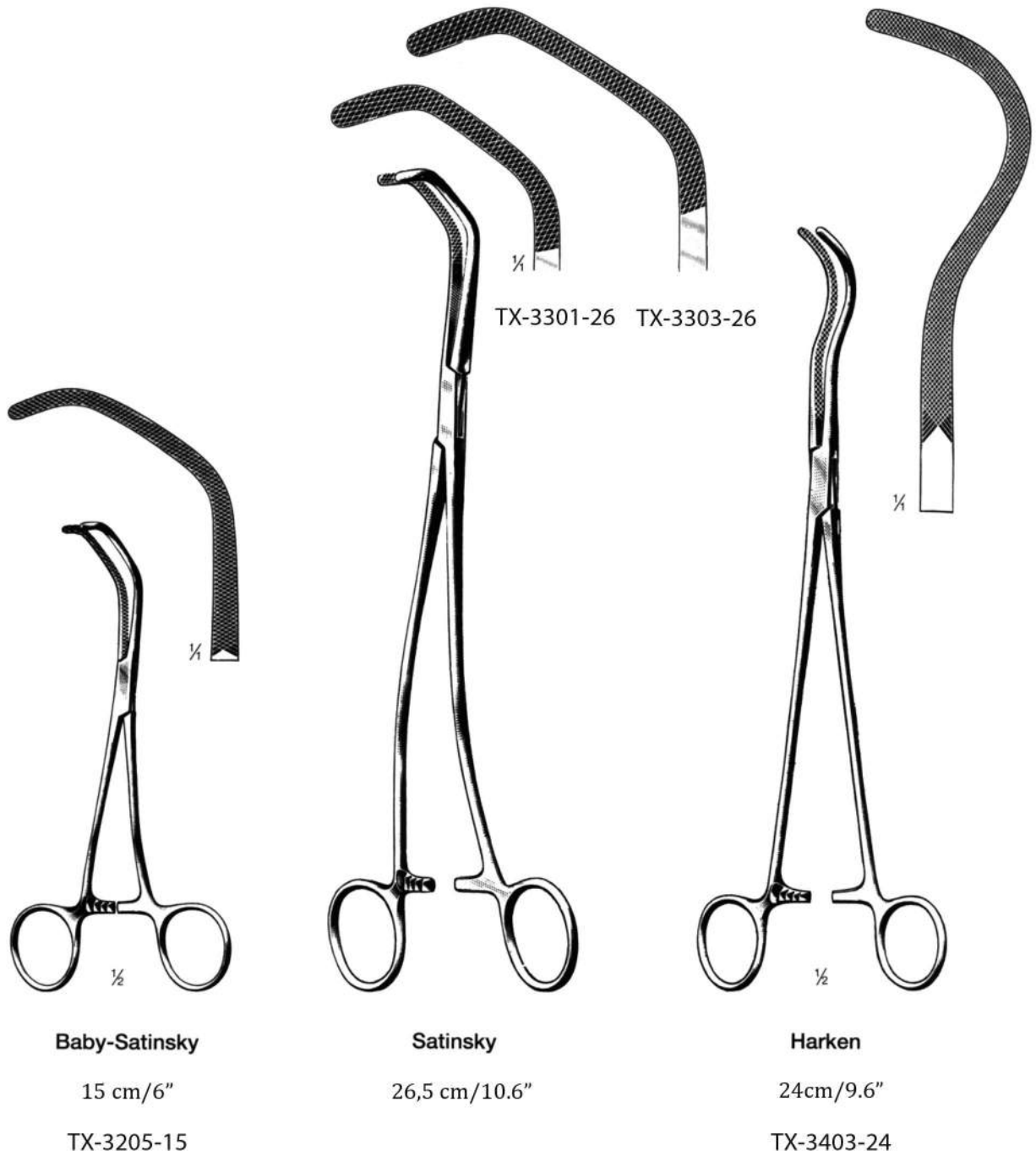
23.5cm/9.4"

Tooth Left Side

Tooth Right Side

Vena cava Clamps

Thorax and Auricle Clamps



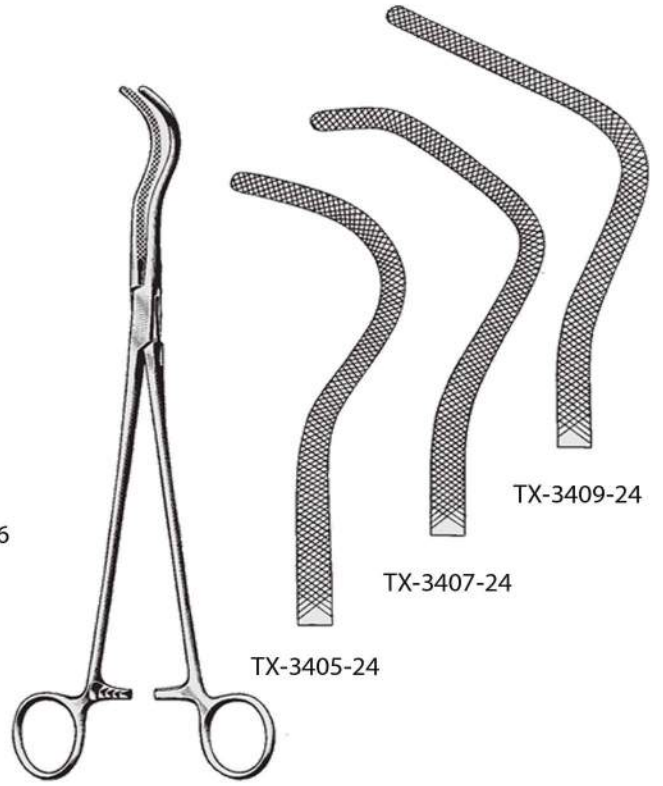
### Blood Vessel Clamps



**Satinsky**

26 cm/10.4"

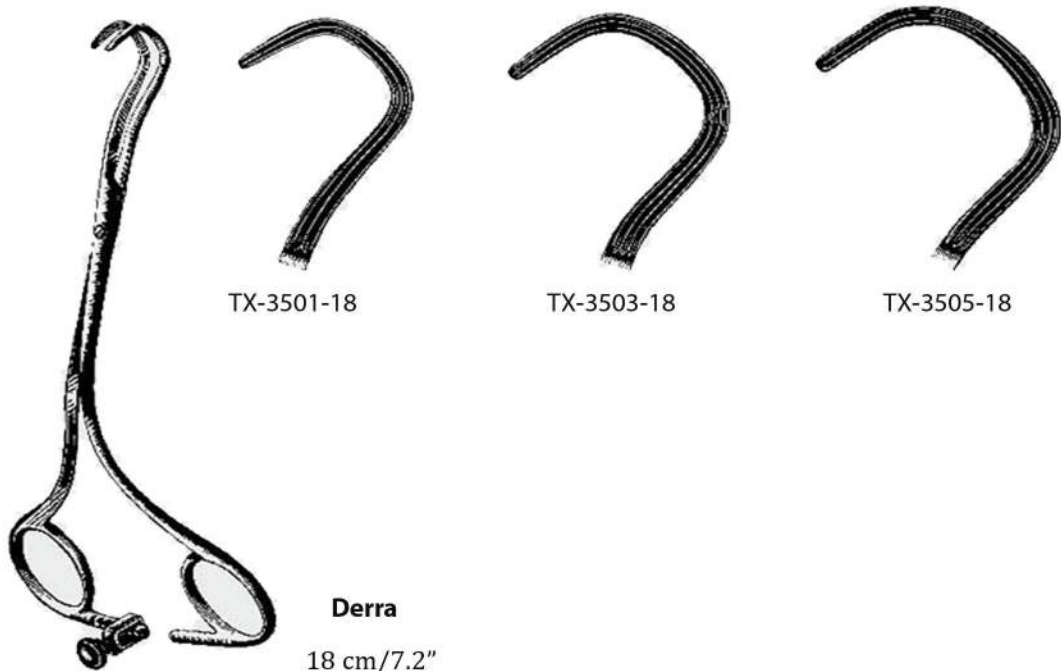
### Auricle Clamps



**Harken**

24cm/9.6"

### Anastomosis Clamps



**Derra**

18 cm/7.2"

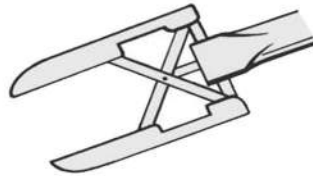
### Brock



TX-4100-00  
Handle only



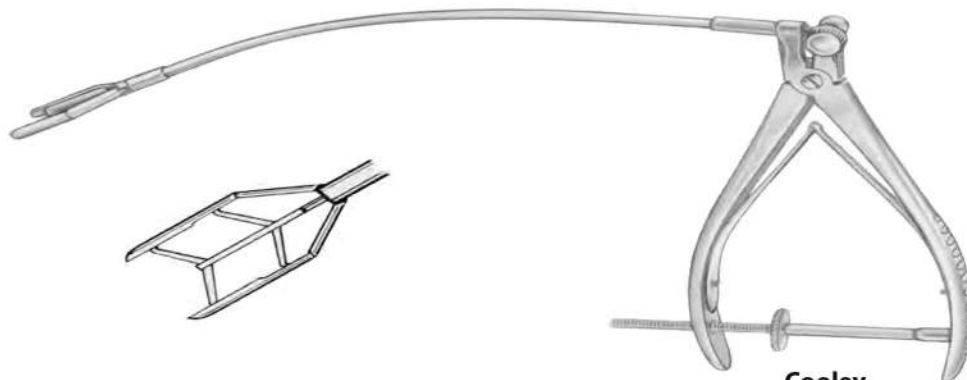
TX-4102-00  
Dilator Opening 8 to 20 mm



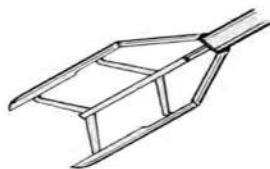
ø mm	Punches
4,0	TX-4104-04
7,5	TX-4104-07
10,0	TX-4104-10
12,0	TX-4104-12



**Tubbs**  
TX-4108-42 8x42 mm



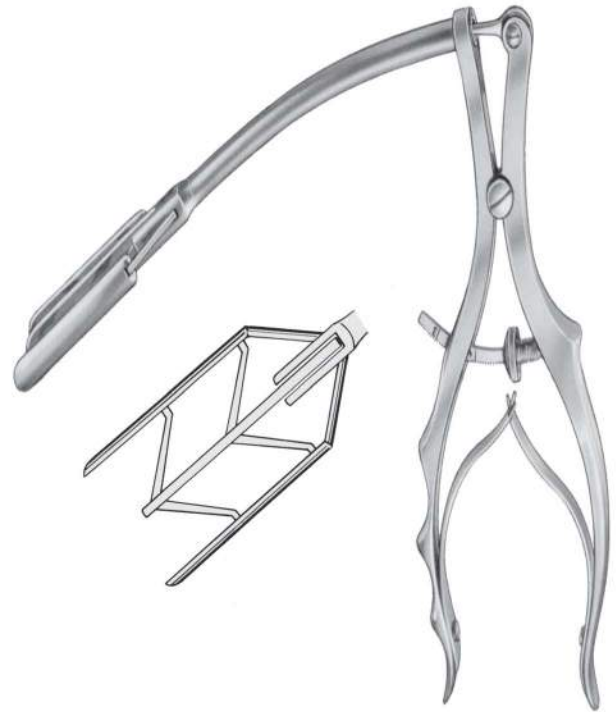
**Cooley**  
TX-4200-15 8x15 mm





**Gerbode**

TX-4202-45 9x45 mm



**Cooley**

TX-4203-30 7x30 mm

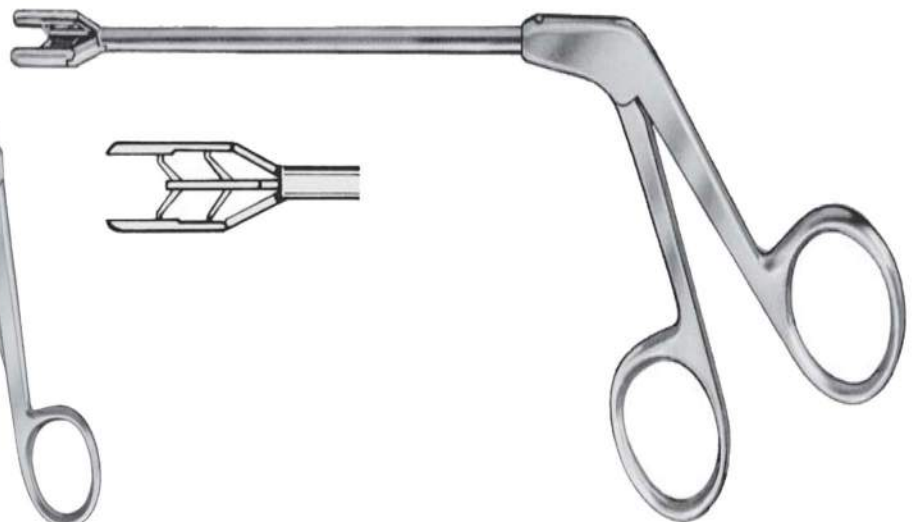
TX-4203-40 9x40 mm



**Cooley**

TX-4205-18 5x18 mm

TX-4205-20 6x20 mm



**Hetzer**

TX-4206-10 4x10 mm



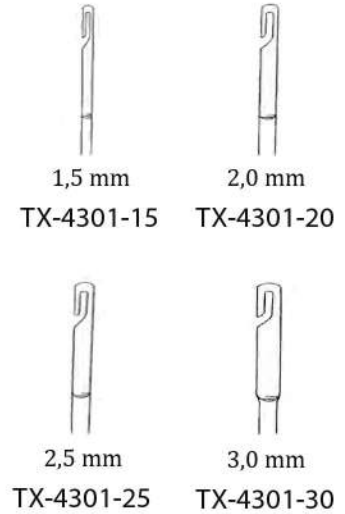
**Rumel-Belmont**

33 cm/13.2"

Ø 3,2 mm  
 TX-4300-32  
 Ø 6,4 mm  
 TX-4300-64



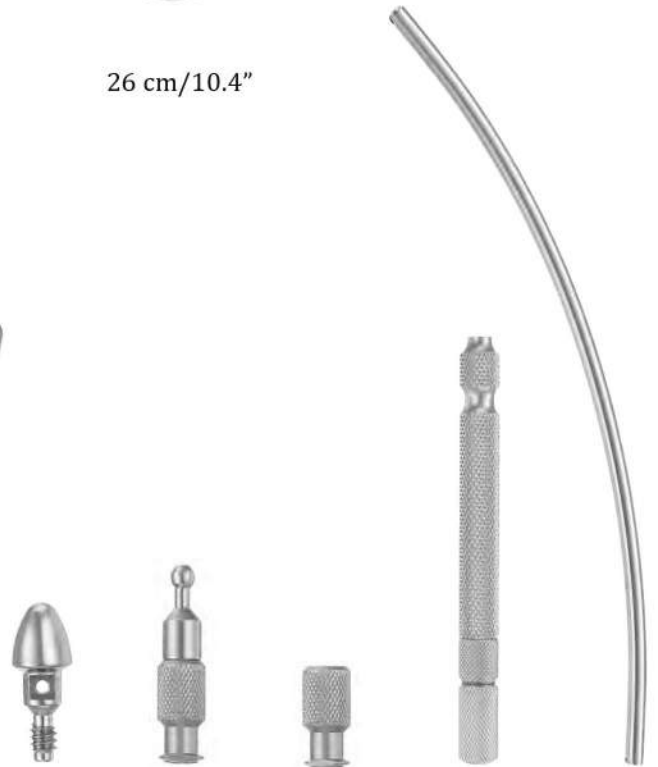
26 cm/10.4"




**TX-5002-00**

Set complete with













- 2 x TX-5002-01 Universal Handle 125mm
- 1 x TX-5002-05 Shaft curved 225 mm
- 1 x TX-5002-06 Shaft straight 225 mm
- 1 x TX-5002-11 Shaft curved 540 mm
- 2 x TX-5002-56 Screw Olive Ø 6 mm
- 2 x TX-5002-58 Screw Olive Ø 8 mm
- 2 x TX-5002-60 Screw Olive Ø 10 mm
- 2 x TX-5002-62 Screw Olive Ø 12 mm
- 1 x TX-5002-65 Vein Tip
- 1 x TX-5002-70 Luer Adaptor




TX-5002-58 TX-5002-65 TX-5002-70 TX-5002-01 TX-5002-05  
 TX-5002-60 TX-5002-62 TX-5002-06




malleable

$\frac{1}{4}$						
	0,5 mm	1,0 mm	1,5 mm	2,0 mm	2,5 mm	3,0 mm
	19 cm/7.6" TX-4702-05	TX-4702-10	TX-4702-15	TX-4702-20	TX-4702-25	TX-4702-30
	35 cm/14" TX-4704-05	TX-4704-10	TX-4704-15	TX-4704-20	TX-4704-25	TX-4704-30
$\frac{1}{2}$						
	3,5 mm	4,0 mm	4,5 mm	5,0 mm	7,0 mm	9,0 mm
	19 cm/7.6" TX-4702-35	TX-4702-40	TX-4702-45	TX-4702-50	TX-4702-70	TX-4702-90
	35 cm/14" TX-4704-35	TX-4704-40	TX-4704-45	TX-4704-50	TX-4704-70	TX-4704-90










$\frac{1}{2}$  DeBakey




15 mm malleable



malleable

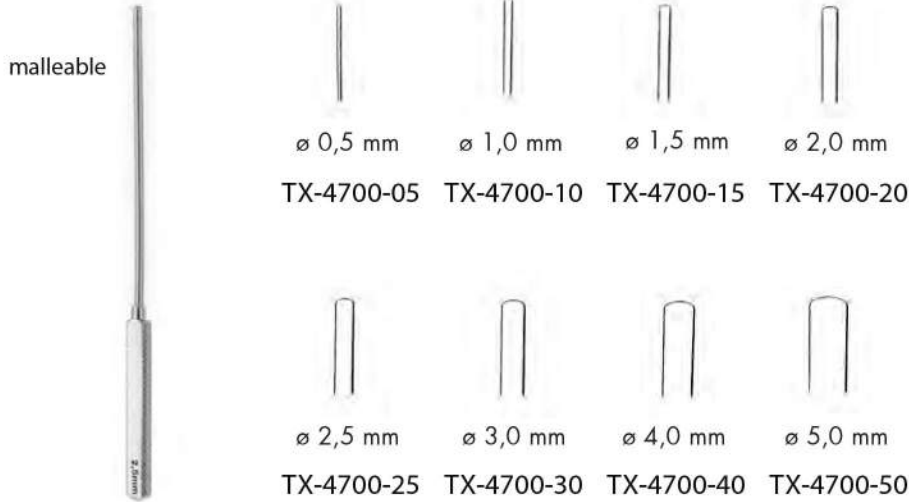
$\frac{1}{4}$					
	1 mm	1,5 mm	2 mm	2,5 mm	3 mm
	14 cm/5.6" TX-4708-10	TX-4708-15	TX-4708-20	TX-4708-25	TX-4708-30
	21 cm/8.4" TX-4710-10	TX-4710-15	TX-4710-20	TX-4710-25	TX-4710-30
$\frac{1}{2}$					
	3,5 mm	4 mm	4,5 mm	5 mm	
	14 cm/5.6" TX-4708-35	TX-4708-40	TX-4708-45	TX-4708-50	
	21 cm/8.4" TX-4710-35	TX-4710-40	TX-4710-45	TX-4710-50	

Garrett



DeBakey  
50 cm/20"  
TX-5000-00

### Vascular Dilators



**Cooley**  
13 cm/5.2"

$\varnothing$  0,5 mm TX-4700-05     $\varnothing$  1,0 mm TX-4700-10     $\varnothing$  1,5 mm TX-4700-15     $\varnothing$  2,0 mm TX-4700-20  
 $\varnothing$  2,5 mm TX-4700-25     $\varnothing$  3,0 mm TX-4700-30     $\varnothing$  4,0 mm TX-4700-40     $\varnothing$  5,0 mm TX-4700-50

### Vascular Spatula

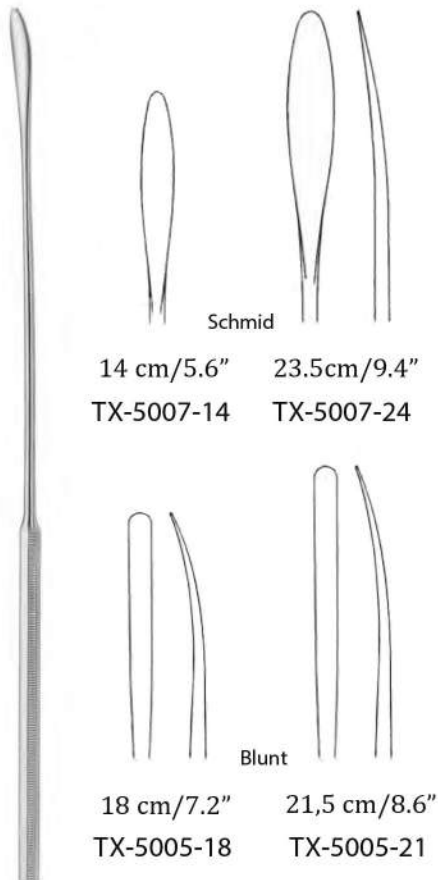


Fig. 1  
NE-1500-01  
Fig. 2  
NE-1500-02  
Fig. 3  
NE-1500-03

**Lemmon**  
17 cm/6.8"

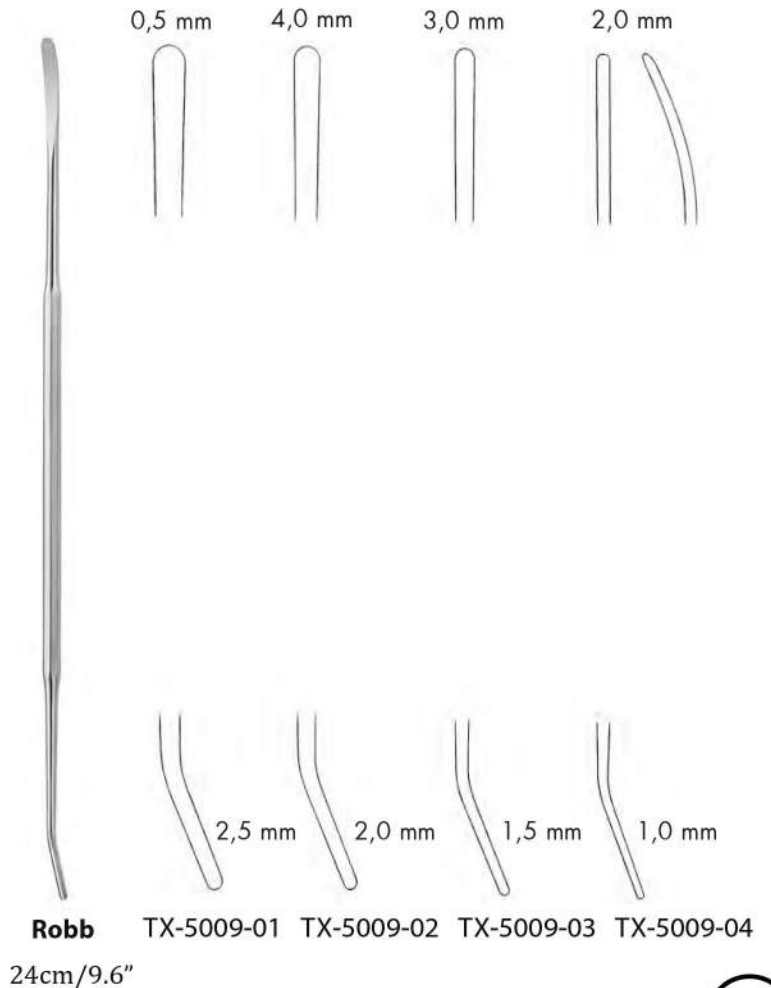
### Vascular Dissectors

#### Intima Spatula



Schmid  
14 cm/5.6" TX-5007-14    23.5cm/9.4" TX-5007-24

Blunt  
18 cm/7.2" TX-5005-18    21,5 cm/8.6" TX-5005-21



**Robb** TX-5009-01 TX-5009-02 TX-5009-03 TX-5009-04  
24cm/9.6"