

Kehlkopf

Larynx

Larynx

LA

Laryngeal Polypus Forceps



Jackson
22 cm/8.8"



LA-1001-22

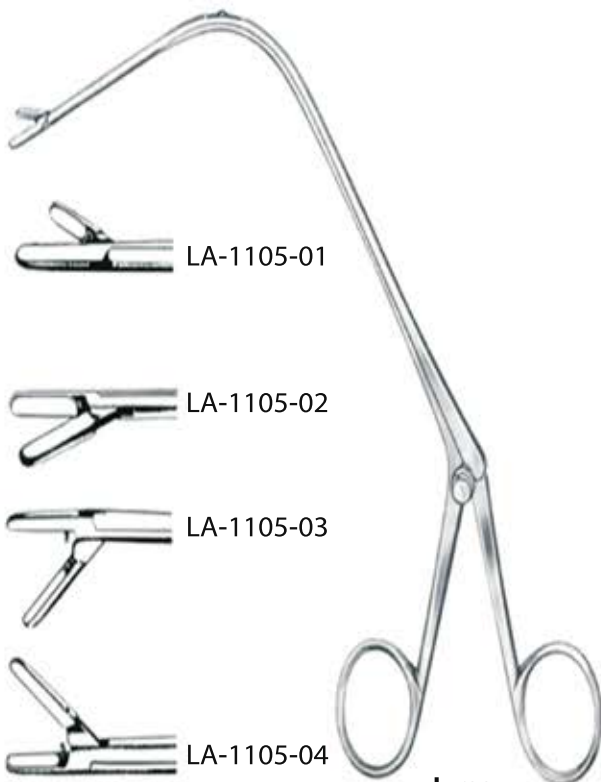


LA-1003-22



Fraenkel
18 cm/7.2"
LA-1101-18

Nasopharyngeal Forceps



Jurasz
23 cm/9.2"



LA-1105-01



LA-1105-02



LA-1105-03



LA-1105-04



Jatho
RN-5905-15

Nasopharyngeal Speculum



Yankauer
19 cm/7.6"
RN-1301-19

Larynectomy Scissor

1 Blade serrated



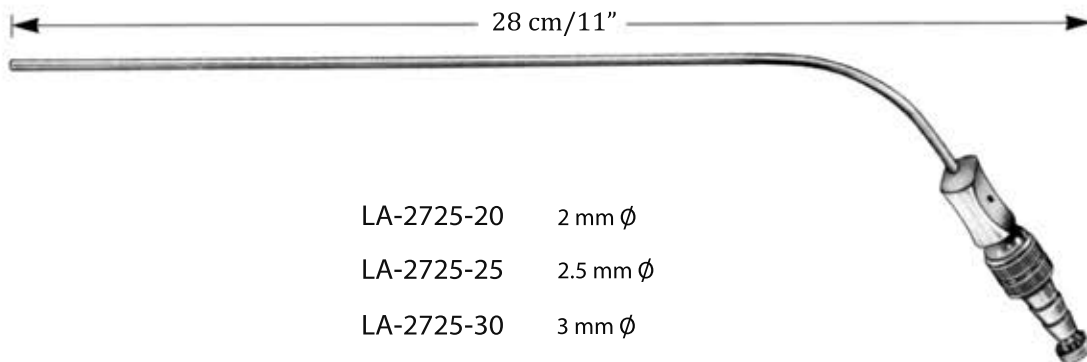
Killian
21 cm/8.4"
RN-2523-21

Eppiglottis Retractor



Reichert
24 cm/9.6"
LA-1201-24

Aspirating Tube



- LA-2725-20 2 mm ϕ
- LA-2725-25 2.5 mm ϕ
- LA-2725-30 3 mm ϕ

Universal Handles



Huber
LA-1300-00



Bruenings
LA-1400-00

Extension Tubes



Bruenings
Straight

Lengths	
20 cm/8"	LA-1302-20
30 cm/12"	LA-1302-30
40 cm/16"	LA-1302-40
50 cm/20"	LA-1302-50
60 cm/24"	LA-1302-60



Bruenings
Angular

LA-1303-20N
LA-1303-30N
LA-1303-40N
LA-1303-50N
LA-1303-60N



Bruenings
20 cm/8"

LA-1301-20

Interchangeable Forceps Tips



Fraenkel
LA-1500-00



Seifert
LA-1502-00



Fraenkel
LA-1504-00



Scheinmann
LA-1505-00



Scheinmann
LA-1507-00



Bruenings
LA-1508-02 2 mm
LA-1508-03 3 mm



Bruenings
LA-1600-02 2 mm
LA-1600-03 3 mm



Large
LA-1602-00



Krouse
LA-1604-01
LA-1604-02



Krouse
LA-1606-00



Krouse

LA-1608-01 LA-1608-03
LA-1608-02 LA-1608-04



Scheinmann
LA-1700-00



Cordes
LA-1702-01



LA-1702-02



Cordes
LA-1704-00



Rosenberg (Flatay)

LA-1706-00

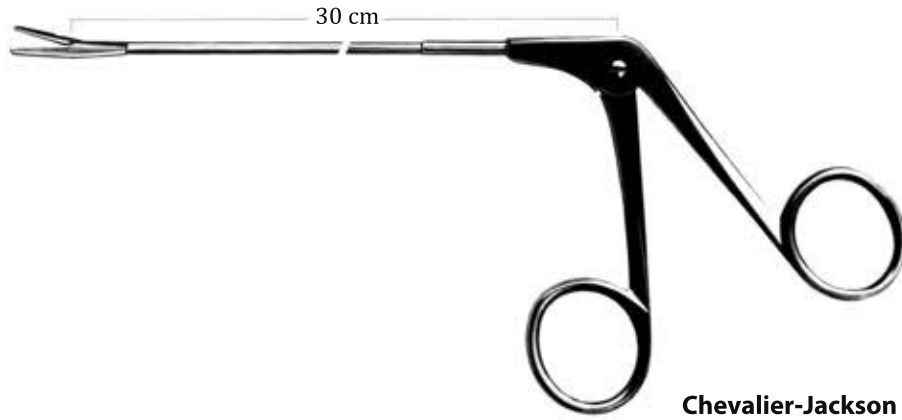


Fig. 1		LA-2300-01	Fig. 8		LA-2300-08N
Fig. 2		LA-2300-02	Fig. 9		LA-2300-09N
Fig. 3		LA-2300-03	Fig. 10		LA-2300-10N
Fig. 4		LA-2300-04	Fig. 11		LA-2300-11N
Fig. 5		LA-2300-05	Fig. 12		LA-2300-12N
Fig. 6		LA-2300-06	Fig. 13		LA-2300-13N
Fig. 7		LA-2300-07	Fig. 14		LA-2300-14N

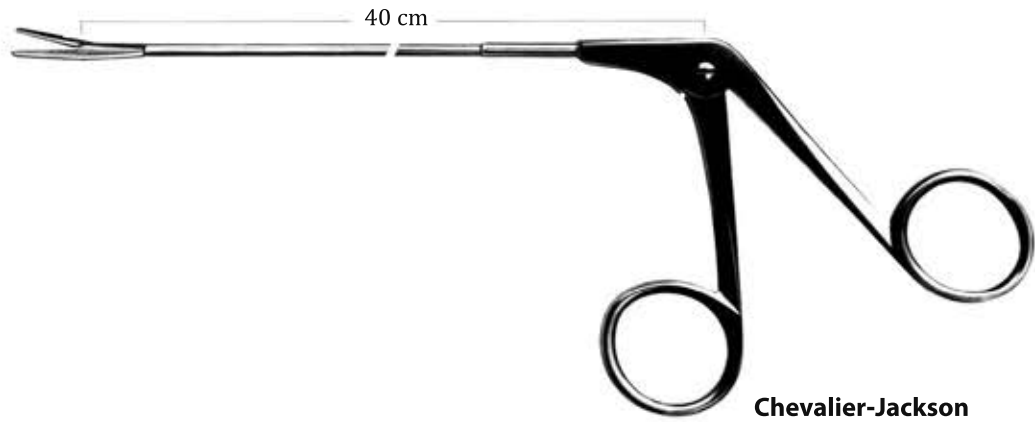


Fig. 1		LA-2400-01	Fig. 8		LA-2400-08N
Fig. 2		LA-2400-02	Fig. 9		LA-2400-09N
Fig. 3		LA-2400-03	Fig. 10		LA-2400-10N
Fig. 4		LA-2400-04	Fig. 11		LA-2400-11N
Fig. 5		LA-2400-05	Fig. 12		LA-2400-12N
Fig. 6		LA-2400-06	Fig. 13		LA-2400-13N
Fig. 7		LA-2400-07	Fig. 14		LA-2400-14N

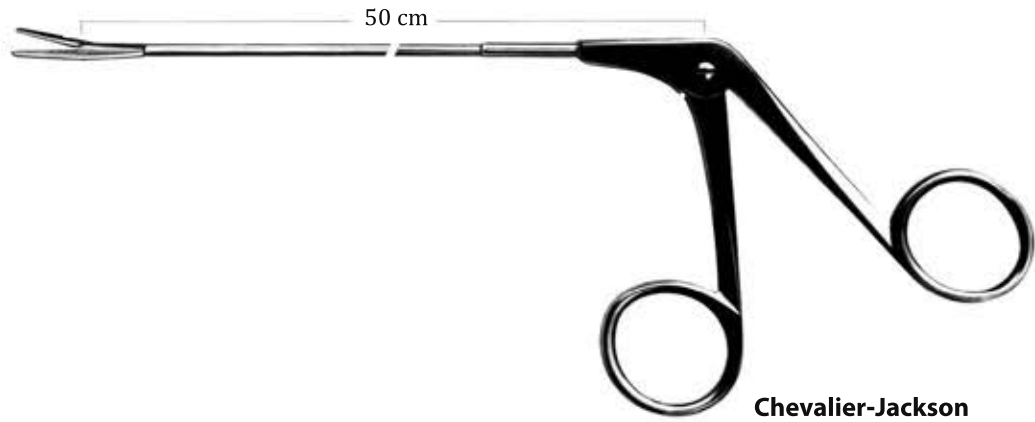


Fig. 1		LA-2500-01	Fig. 8		LA-2500-08N
Fig. 2		LA-2500-02	Fig. 9		LA-2500-09N
Fig. 3		LA-2500-03	Fig. 10		LA-2500-10N
Fig. 4		LA-2500-04	Fig. 11		LA-2500-11N
Fig. 5		LA-2500-05	Fig. 12		LA-2500-12N
Fig. 6		LA-2500-06	Fig. 13		LA-2500-13N
Fig. 7		LA-2500-07	Fig. 14		LA-2500-14N

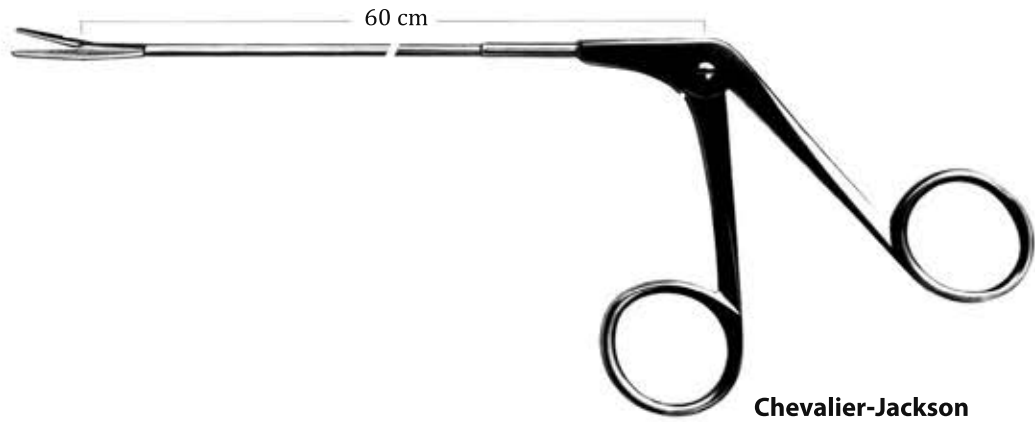
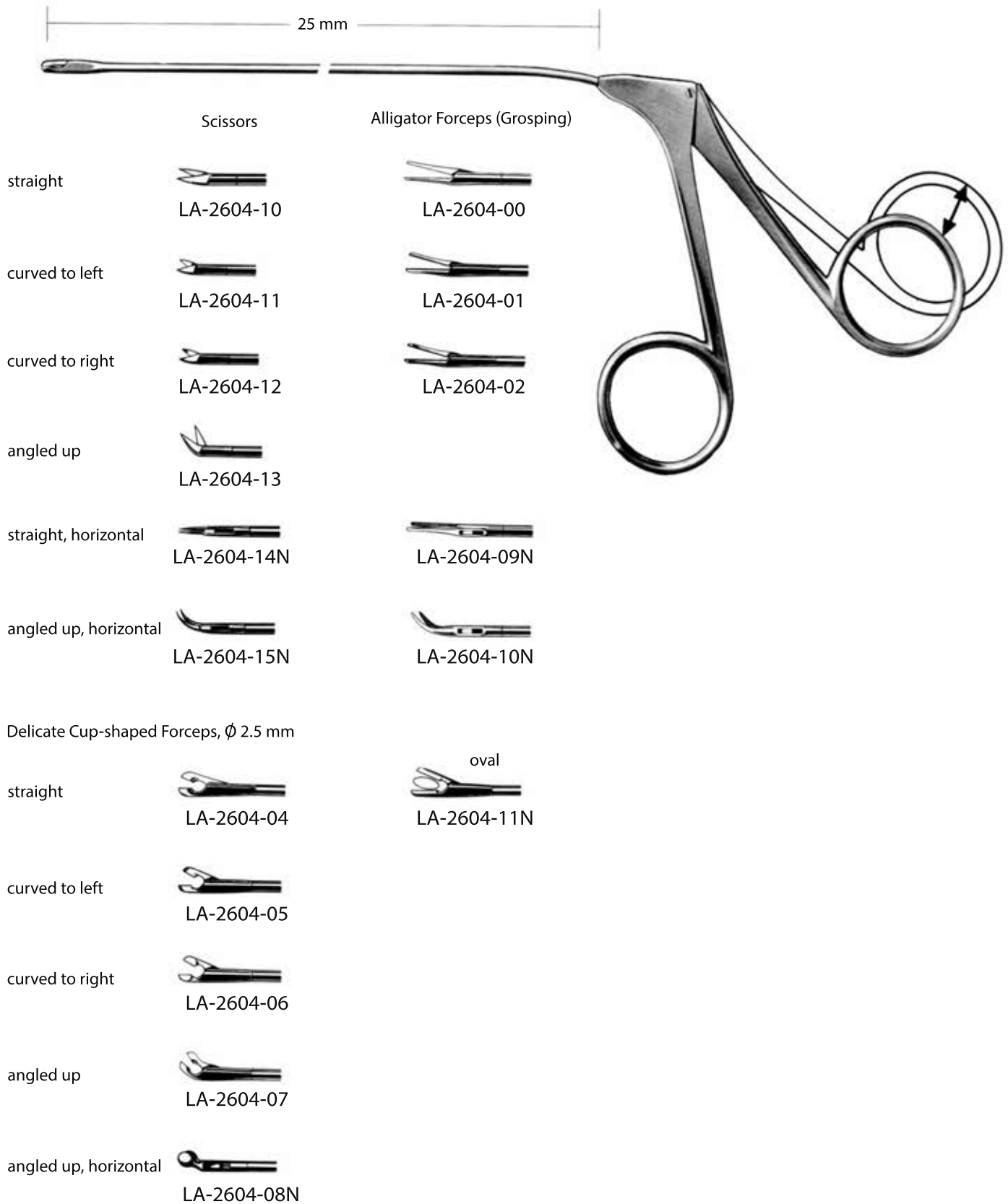


Fig. 1		LA-2600-01	Fig. 8		LA-2600-08N
Fig. 2		LA-2600-02	Fig. 9		LA-2600-09N
Fig. 3		LA-2600-03	Fig. 10		LA-2600-10N
Fig. 4		LA-2600-04	Fig. 11		LA-2600-11N
Fig. 5		LA-2600-05	Fig. 12		LA-2600-12N
Fig. 6		LA-2600-06	Fig. 13		LA-2600-13N
Fig. 7		LA-2600-07	Fig. 14		LA-2600-14N

Instruments for endolaryngeal Microsurgery



Laryngeal Mirrors



Fig	Ø mm
000	6
00	8
0	10
1	12
2	14
3	16
4	18
5	20
6	22
7	24
8	26
9	28
10	30



LA-2700-06
LA-2700-08
LA-2700-10
LA-2700-12
LA-2700-14
LA-2700-16
LA-2700-18
LA-2700-20
LA-2700-22
LA-2700-24
LA-2700-26
LA-2700-28
LA-2700-30
Without Handle



LA-2702-06
LA-2702-08
LA-2702-10
LA-2702-12
LA-2702-14
LA-2702-16
LA-2702-18
LA-2702-20
LA-2702-22
LA-2702-24
LA-2702-26
LA-2702-28
LA-2702-30
With Handle



LA-2704-12

Handles



LA-2706-10

Rhinoscopic Mirrors



Michel

25 cm/10"

LA-1309-12	12 mm
LA-1309-14	14 mm
LA-1309-16	16 mm
LA-1309-18	18 mm



Complete Laryngoscope with Fiber Light Carrier



L = 13.5 cm
LA-2625-01
Child, Small



L = 15 cm
LA-2625-02
Child



L = 18 cm
LA-2625-03
Small



L = 18 cm
LA-2625-04
Medium



L = 18 cm
LA-2625-05
Adult, Large

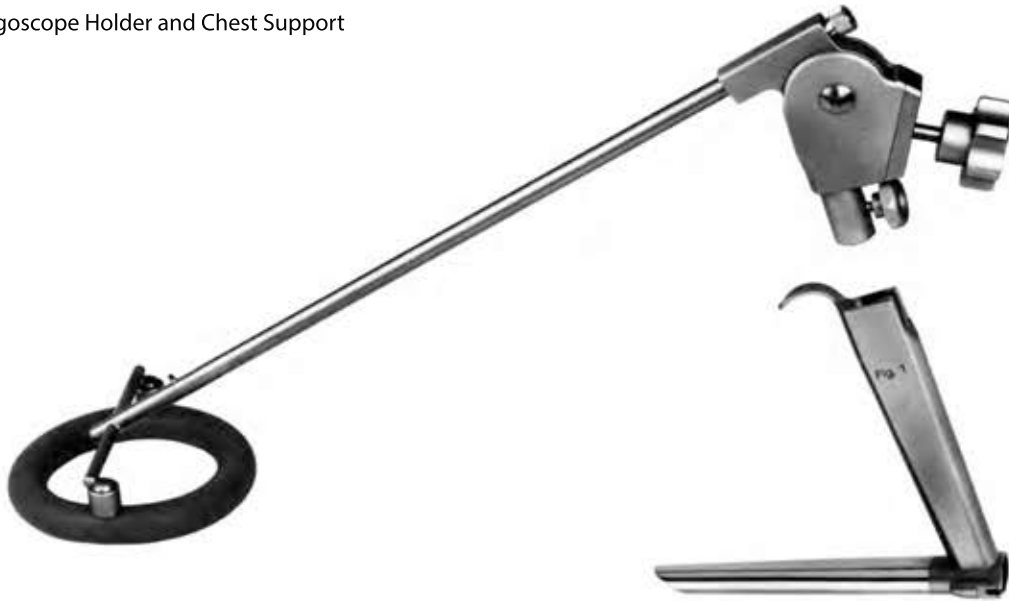


L = 18 cm
LA-2625-06
Anterior Commissure



L = 22 cm
LA-2625-07
Anterior Commissure
For Large Neck

Laryngoscope Holder and Chest Support



- LA-2630-00 Chest Support For Adults Complete With rod 34 cm
- LA-2640-00 Chest Support For Child Complete With rod 24 cm
- LA-2640-01 Rod Only For Child 24 cm
- LA-2640-02 Rod Only For Adult 34 cm

Fiber Optic Light Carriers



13.8 cm

- LA-2640-01
- for use with LA-2625-01
- LA-2625-02

Injection Drain Cannula



LA-2650-01



16.5 cm

- LA-2640-02
- for use with LA-2625-03
- LA-2625-04
- LA-2625-05
- LA-2625-06

Suction Tube



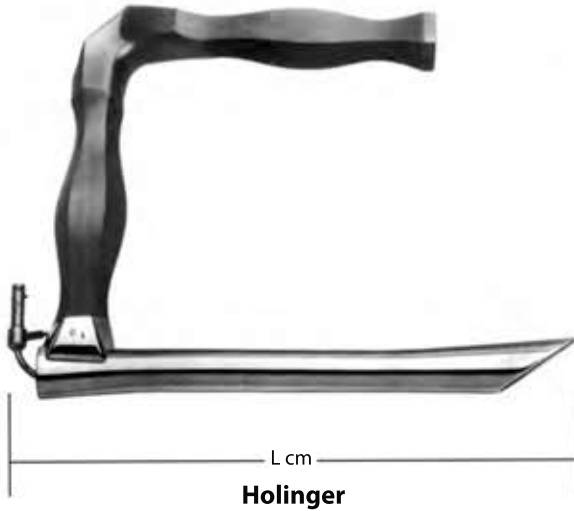
LA-2660-01



21 cm

- LA-2640-03
- for use with LA-2625-07

Laryngoscopes



LA-2670-07N L = 17 cm

LA-2670-18N L = 18 cm

Complete With Fiber Light Carrier



LA-2680-12N L = 12 cm

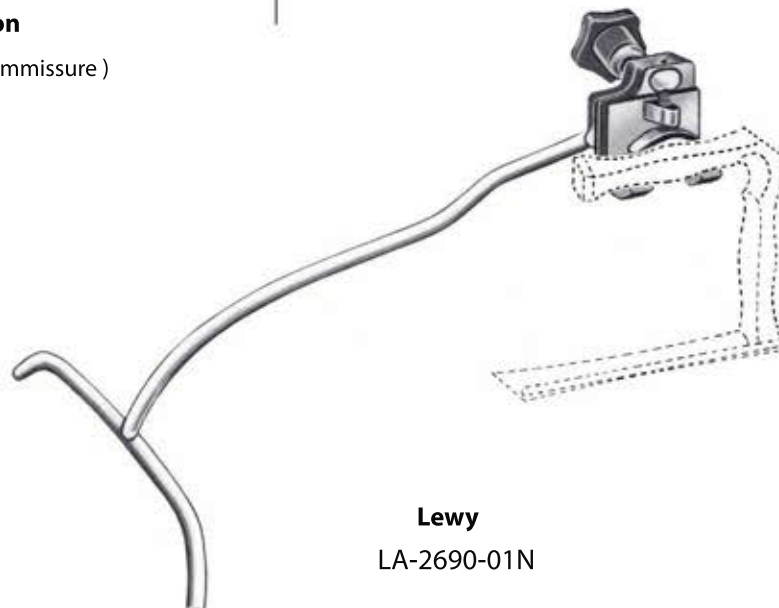
LA-2680-17N L = 17 cm

LA-2680-18N L = 18 cm

Complete With Fiber Light Carrier

(For Anterior Commissure)

Holder and Chest Support



Lewy
LA-2690-01N