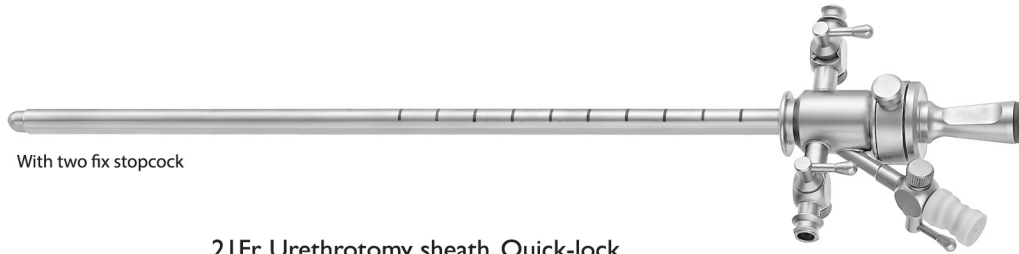


Quick-lock - Optical urethrotome



With two fix stopcock

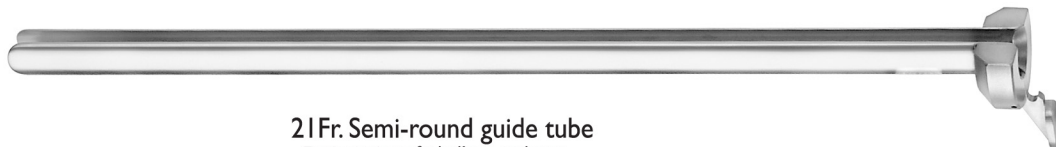
21Fr. Urethrotomy sheath, Quick-lock

Code	Length	Instrument channel	Notes
T5110050	197 mm	5 FR	To use with 4 mm telescope 0° ref. A5403000



21Fr. Standard obturator, Quick-lock

T5110060



21Fr. Semi-round guide tube

For insertion of a balloon catheter

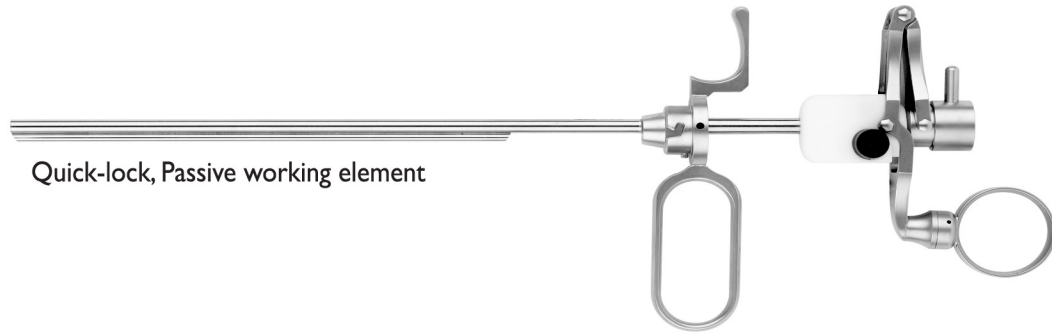
T5110070



21Fr. Additional sheath

T5110080

Quick-lock - Optical urethrotome



Quick-lock, Passive working element

Code	Notes
T5020050	To use with 4 mm telescope 0° ref A5403000



Quick-lock, Adapter bridge for diagnostic

Code	Working channel	Notes
T5115200	5 Fr.	To use with 4 mm telescope 0° ref A5403000



Urethrotomy Knife, Quick-lock

Straight, cold cutting

T5120001

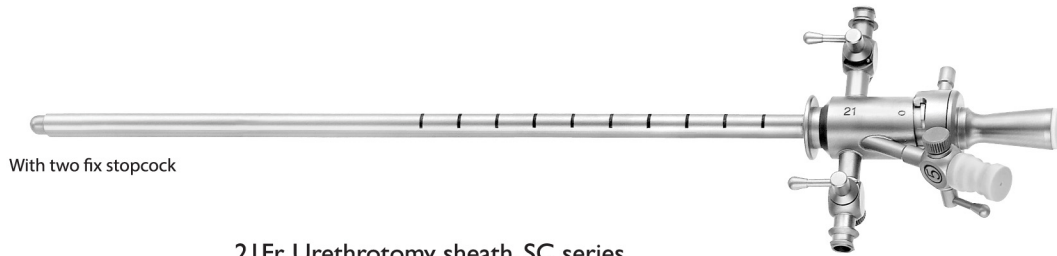


Urethrotomy Knife, Quick-lock

Semi round, cold cutting

T5120020

SC series - Optical urethrotome



With two fix stopcock

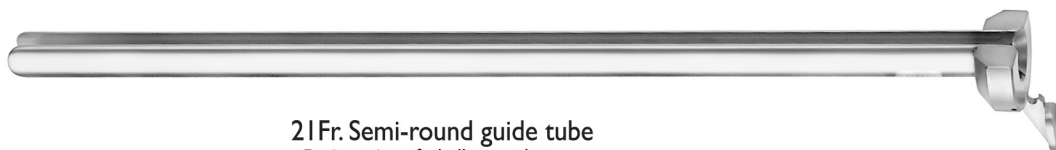
21Fr. Urethrotomy sheath, SC series

Code	Length	Instrument channel	Notes
T9110050	197 mm	5 FR	To use with 4 mm telescope 0° ref. A5403000



21Fr. Standard obturator, SC series

T9110060



21Fr. Semi-round guide tube

For insertion of a balloon catheter

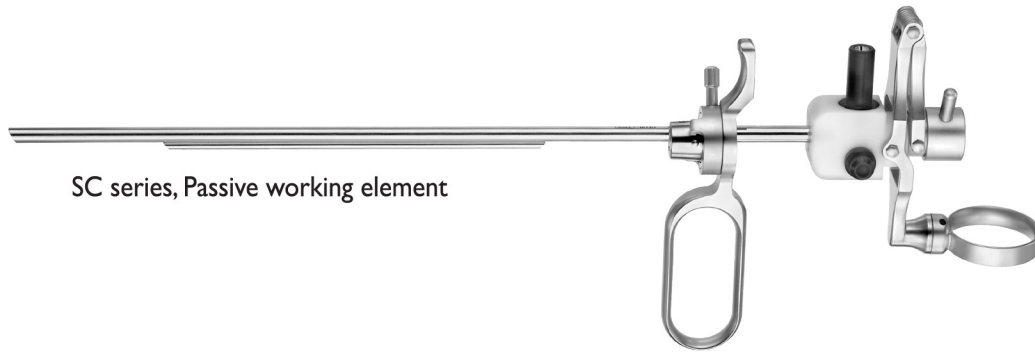
T9110070



21Fr. Additional sheath

T9110080

SC series - Optical urethrotome



SC series, Passive working element

Code	Notes
T9020050	To use with 4 mm telescope 0° ref A5403000



SC series, Adapter bridge for diagnostic

Code	Working channel	Notes
T9115200	5 Fr.	To use with 4 mm telescope 0° ref A5403000

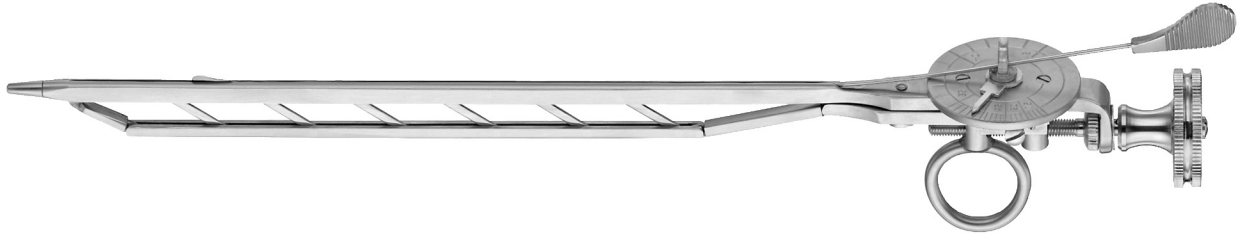


Urethrotomy Knife, SC series
Straight, cold cutting
L7500037



Urethrotomy Knife, SC series
Semi round, cold cutting
L7500038

OTIS urethrotome



OTIS urethrotome

For adults with three interchangeable tips
straight, curved, spherical

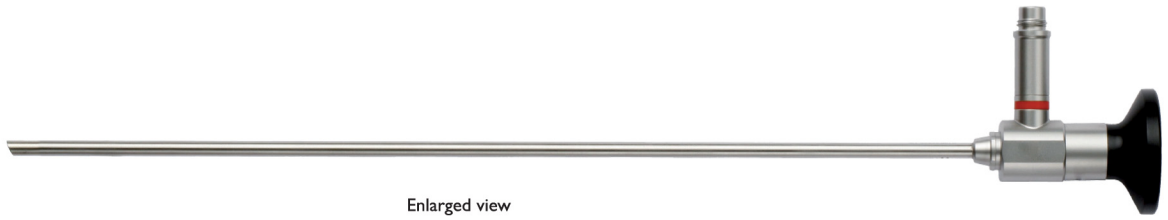
L5160000



Two spare knives for the OTIS urethrotome

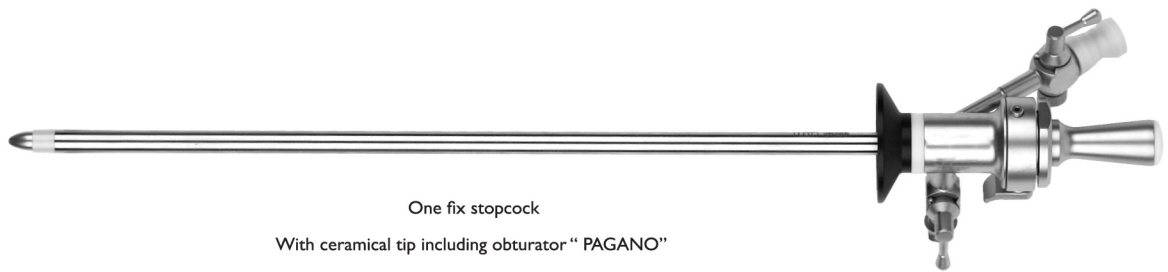
L5160001

HF- resectoscope urethrotome - Quick-lock



Enlarged view
 With rod lenses optical system autoclavable
 With fiber optic light transmission incorporated

Code	Length	Diameter	Notes
A5293000	301 mm	2,9 mm	Pagano straight forward telescope 0°
A5293002	301 mm	2,9 mm	Pagano forward oblique telescope 30°



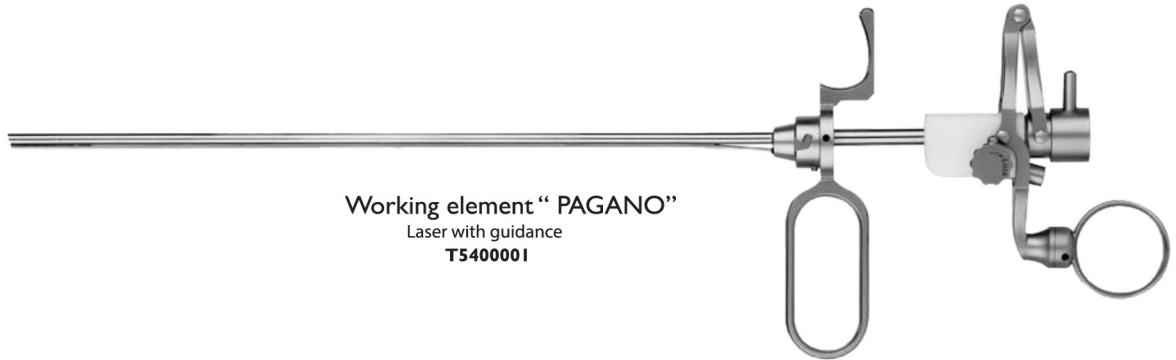
One fix stopcock
 With ceramical tip including obturator "PAGANO"

Code	Diameter	Notes
T5400010	15.5 Fr.	Sheath "pagano"



Standard obturator "PAGANO"
T5400050

HF-resectoscope urethrotome - Quick-lock



Working element "PAGANO"
Laser with guidance
T5400001



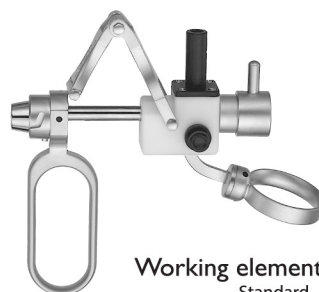
Loop electrode "PAGANO" bent
Size 1
T5400100



Loop electrode "PAGANO" bent
Size 2
T5400101

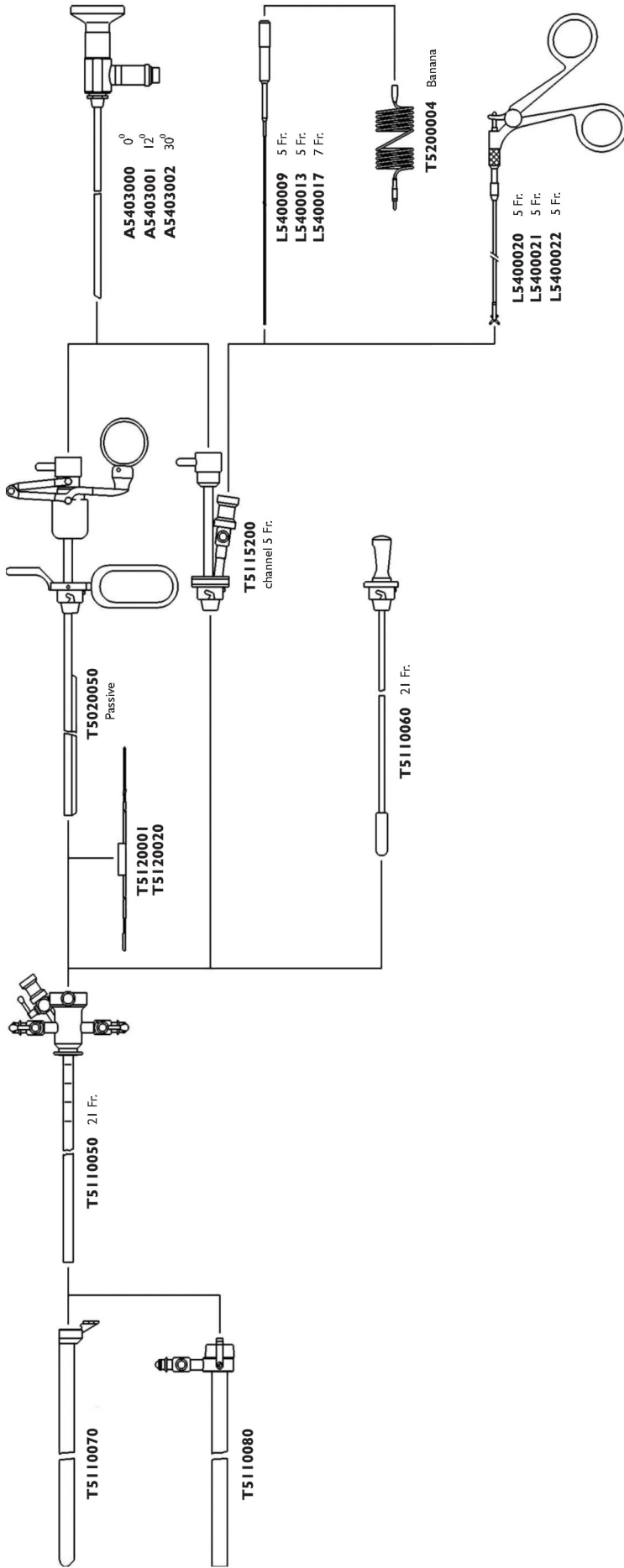


Urethrotomy Knife "PAGANO"
Straight, cold cutting
T5400110



Working element "PAGANO"
Standard
T5400000

Optical urethrotome



HF-Resectoscope Urethrotome "PAGANO"

