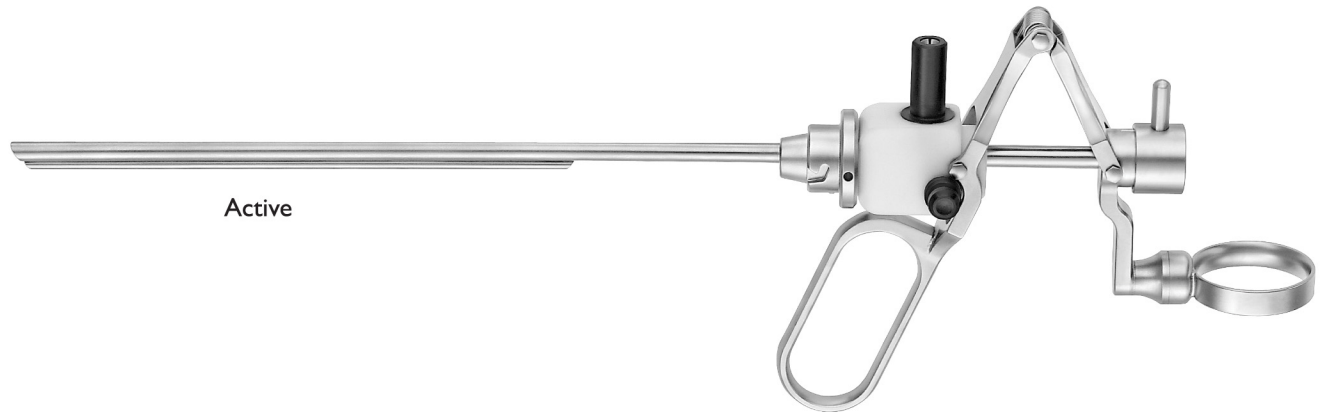
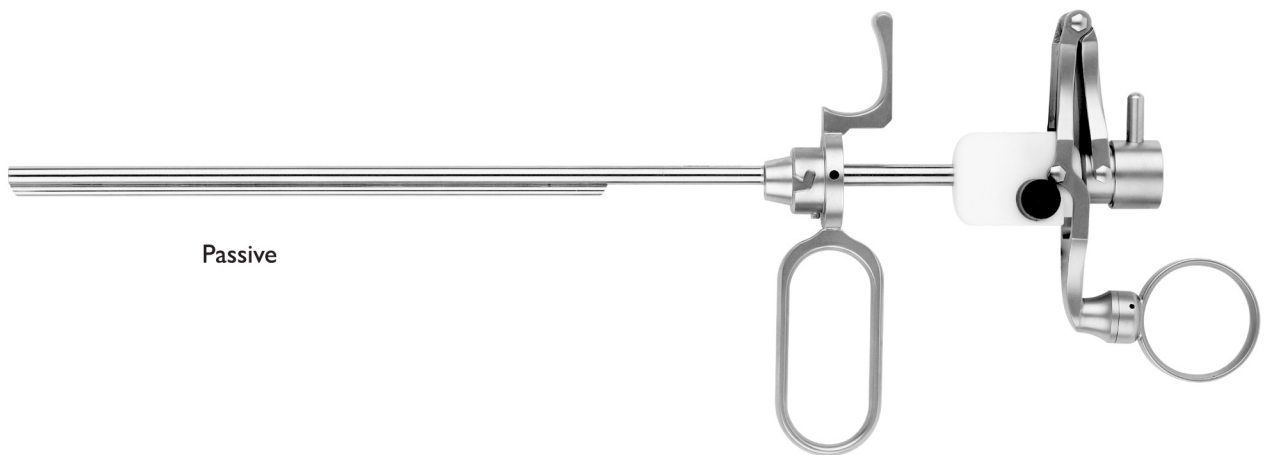


### Quick-lock working elements



Active

Code	Notes
T5010000	To use with 4 mm telescope 12° ref A5403001 or 30° ref A5403002 and Quick-lock resectoscope sheath
T5010040	To use with 3 mm telescope 12° ref A5303001 or 30° ref A5303002 and Quick-lock resectoscope sheath



Passive

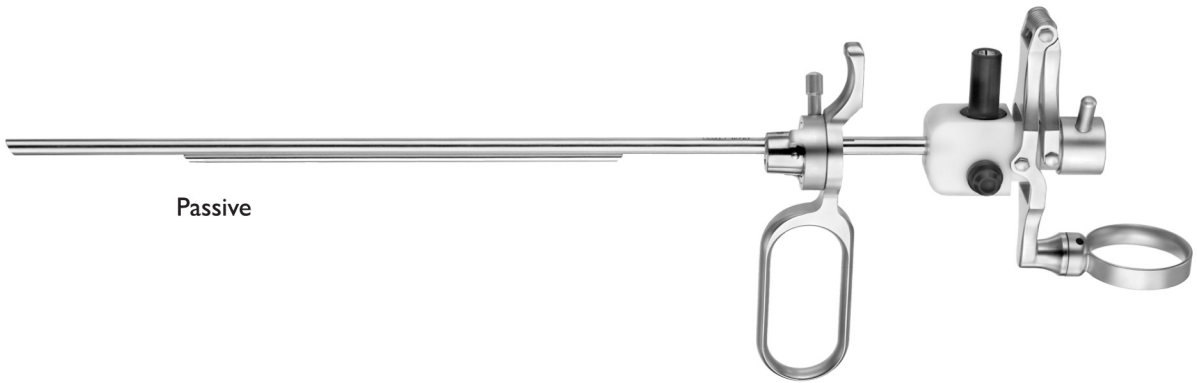
Code	Notes
T5020000	To use with 4 mm telescope 12° ref A5403001 or 30° ref A5403002 and Quick-lock resectoscope sheath
T5020040	To use with 3 mm telescope 12° ref A5303001 or 30° ref A5303002 and Quick-lock resectoscope sheath

SC series working elements



Active

Code	Notes
T9010020	To use with 4 mm telescope 12° ref A5403001 or 30° ref A5403002 and SC series resectoscope sheath



Passive

Code	Notes
T9020000	To use with 4 mm telescope 12° ref A5403001 or 30° ref A5403002 and SC series resectoscope sheath

### Quick-lock single flow resectoscopy sheath



Single flow, with ceramic tip insulation  
With one fix stopcock for irrigation

Code	Length	Diameter	Notes
T5040025	208 mm	21 FR	Delivered with Quick-lock standard obturator ref. T5070100
T5040010	200 mm	24 FR	Delivered with Quick-lock standard obturator ref. T5070000
T5040530	200 mm	27 FR	Delivered with Quick-lock standard obturator ref. T5070500

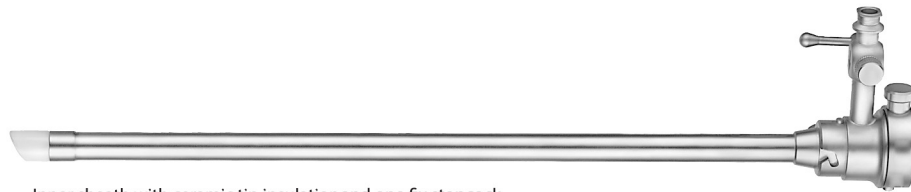
### SC series single flow resectoscopy sheath



Single flow, with ceramic tip insulation  
With one fix stopcock for irrigation

Code	Length	Diameter	Notes
T9040010	200 mm	24 FR	Delivered with SC series standard obturator ref. T9070000
T9040530	200 mm	27 FR	Delivered with SC series standard obturator ref. T9080000

## Quick-lock continuous flow resectoscopy sheath



Inner sheath with ceramic tip insulation and one fix stopcock

Code	Length	Diameter	Notes
T5030521	200 mm	24 FR	To use with 26 Fr. Quick-lock outer sheath ref. T5040525
T5030501	200 mm	24 FR	To use with 27 Fr. Quick-lock outer sheath ref. T5040540



outer sheath with surrounding perforation and one fix stopcock

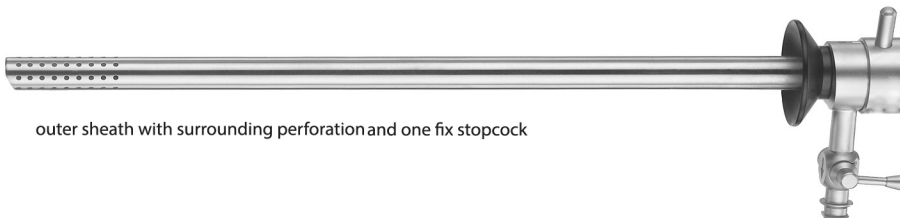
Code	Length	Diameter	Notes
T5040525	200 mm	26 FR	To use with 24 Fr. Quick-lock inner sheath ref. T5030521
T5040540	200 mm	27 FR	To use with 24 Fr. Quick-lock inner sheath ref. T5030501

## SC series continuous flow resectoscopy sheath



Inner sheath with ceramic tip insulation and one fix stopcock

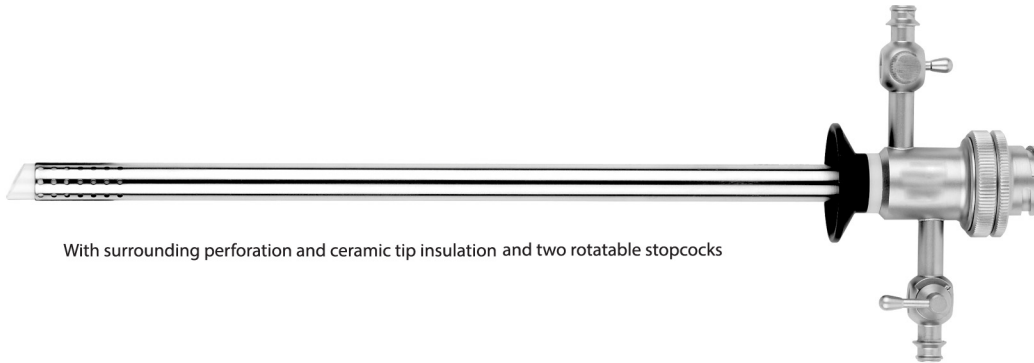
Code	Length	Diameter	Notes
T9030540	200 mm	24 FR	To use with 26Fr. SC series outer sheath ref. T9040540
T9030550	200 mm	27 FR	To use with 28Fr. SC series outer sheath ref. T5040540



outer sheath with surrounding perforation and one fix stopcock

Code	Length	Diameter	Notes
T9040540	200 mm	26 FR	To use with 24 Fr. SC series inner sheath ref. T9030540
T9040550	200 mm	28 FR	To use with 27 Fr. SC series inner sheath ref. T9030550

### SC series continuous flow resectoscopy combi-sheath



With surrounding perforation and ceramic tip insulation and two rotatable stopcocks

Code	Length	Diameter	Notes
T9040514	200 mm	26 FR/24FR.	To use with all SC series working elements
T9040516	200 mm	28 FR/27FR.	To use with all SC series working elements

### Quick-lock continuous flow resectoscopy combi-sheath

Code	Length	Diameter	Notes
T5040518	200 mm	24 FR/21FR.	To use with all Quick-lock working elements
T5040523	200 mm	26 FR/24FR.	To use with all Quick-lock working elements
T5040514	200 mm	27 FR./24FR.	To use with all Quick-lock working elements

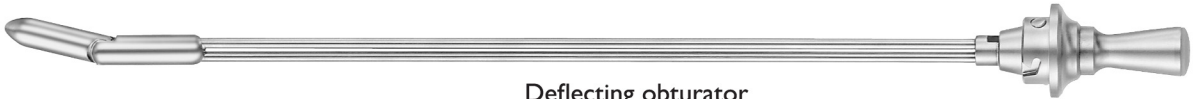
### Quick-lock obturators



#### Standard obturator

With Quick-lock connecting system for easier and quicker use  
To use with Quick-lock resectoscopy sheath

**T5070100** 21 Fr.  
**T5070000** 24 Fr.  
**T5070500** 27 Fr.



#### Deflecting obturator

With Quick-lock connecting system for easier and quicker use  
To use with Quick-lock resectoscopy sheath

**T5060000** 24 Fr.  
**T5070250** 27 Fr.



#### Atraumatic distending obturator

With Quick-lock connecting system for easier and quicker use  
To use with Quick-lock resectoscopy sheath

**T5050002** 24 Fr.  
**T5050102** 27 Fr.

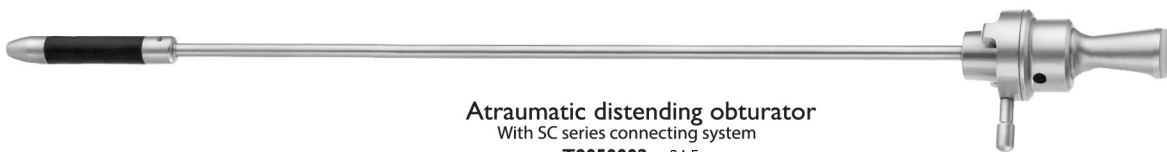
### SC series obturators



**Standard obturator**  
With SC series connecting system  
**T9070000** 24 Fr.  
**T9080000** 27 Fr.

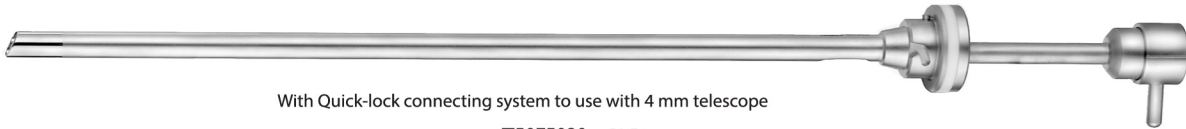


**Deflecting obturator**  
With SC series connecting system  
**T9060000** 24 Fr.



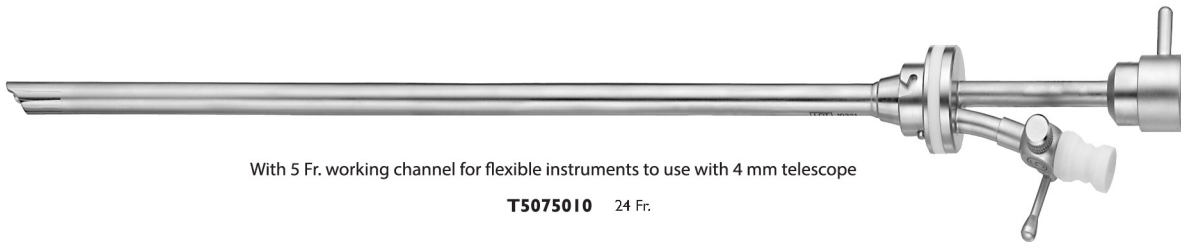
**Atraumatic distending obturator**  
With SC series connecting system  
**T9050002** 24 Fr.  
**T9050102** 27 Fr.

### Quick-lock Visual obturator



With Quick-lock connecting system to use with 4 mm telescope

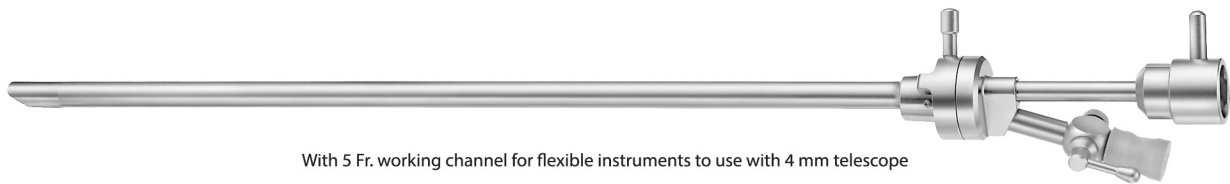
**T5075020** 21 Fr.  
**T5075000** 24 Fr.



With 5 Fr. working channel for flexible instruments to use with 4 mm telescope

**T5075010** 24 Fr.

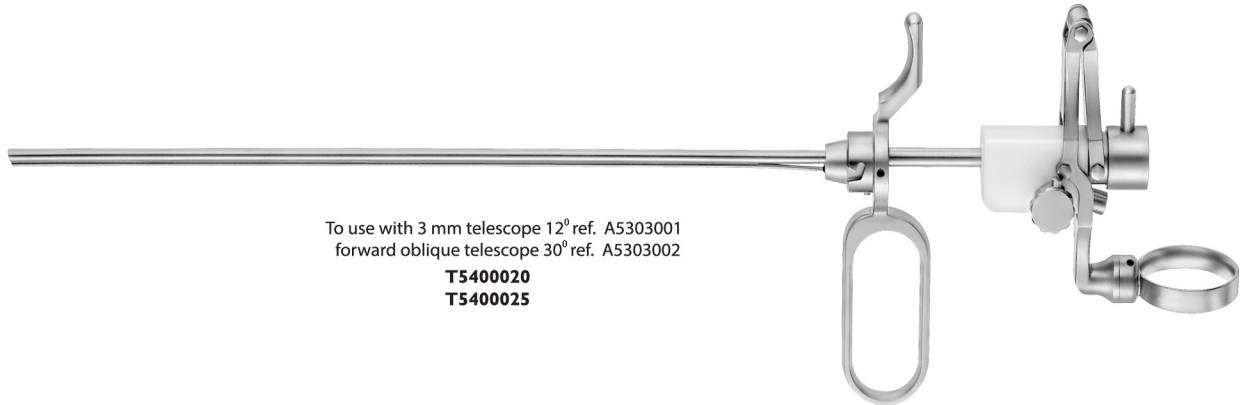
### SC series Visual obturator



With 5 Fr. working channel for flexible instruments to use with 4 mm telescope

**T9075010** 24 Fr.

### Quick-lock laser working elements



To use with 3 mm telescope 12° ref. A5303001  
forward oblique telescope 30° ref. A5303002

**T5400020**  
**T5400025**



To connect with 24 Fr. SC series resectoscopy sheath

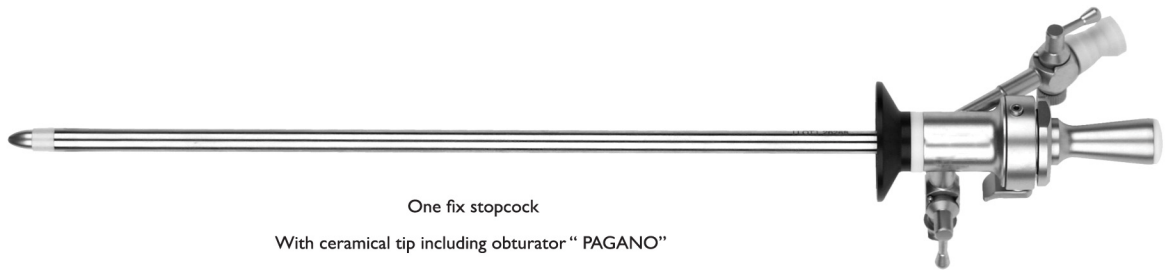
**T9075030** 7 Fr.

### HF- resectoscope urethrotome



Enlarged view  
 With rod lenses optical system autoclavable  
 With fiber optic light transmission incorporated

Code	Length	Diameter	Notes
A5293000	301 mm	2,9 mm	Pagano straight forward telescope 0°
A5293002	301 mm	2,9 mm	Pagano forward oblique telescope 30°



One fix stopcock  
 With ceramical tip including obturator "PAGANO"

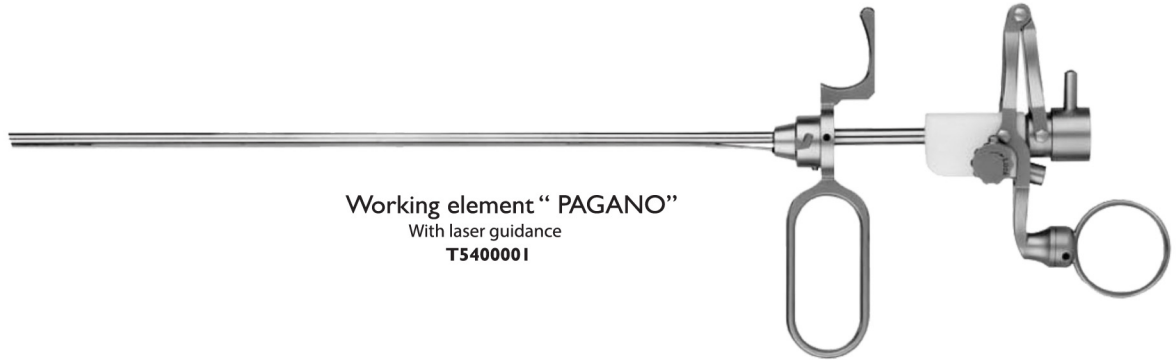
Code	Length	Diameter	Notes
T5400010	192 mm	15.5 Fr.	Sheath "pagano"



Standard obturator "PAGANO"

**T5400050**

HF-resectoscope urethrotome



Working element "PAGANO"  
With laser guidance  
**T540001**



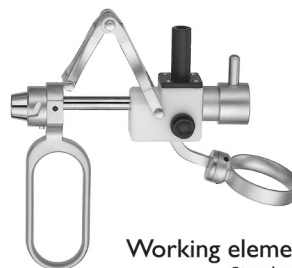
Loop electrode "PAGANO" bent  
Size 1  
**T5400100**



Loop electrode "PAGANO" bent  
Size 2  
**T5400101**



Urethrotomy Knife "PAGANO"  
Cold cutting  
**T5400110**

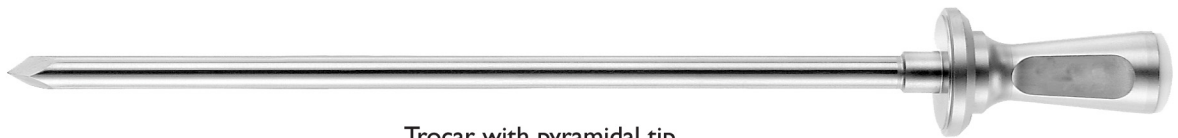


Working element "PAGANO"  
Standard  
**T5400000**

### Supra-pubic aspiration set



**Complete supra-pubic trocar**  
Including 16 Fr. supra-pubic sleeve ref. T5200220  
and trocar with pyramidal tip ref. T5200210  
**T5200200**



**Trocar with pyramidal tip**  
**T6080000**



**Trocar sleeve for supra-pubic aspiration set**  
**T5200220** 16 Fr.

## Supra-pubic aspiration set



Aspiration cannula  
**T5200230** 5,5 mm



Aspiration cannula  
**T5200270** 4,5 mm

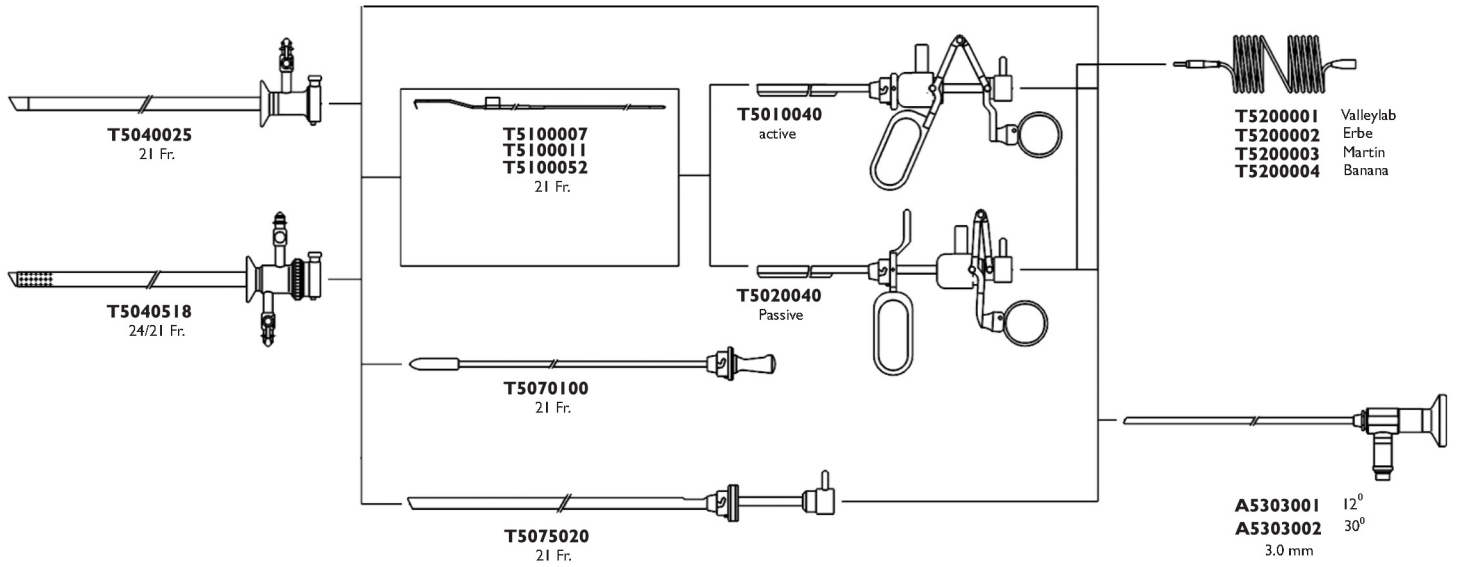


Guide sleeve with lateral opening  
To use for catheter insertion  
**T5200250**

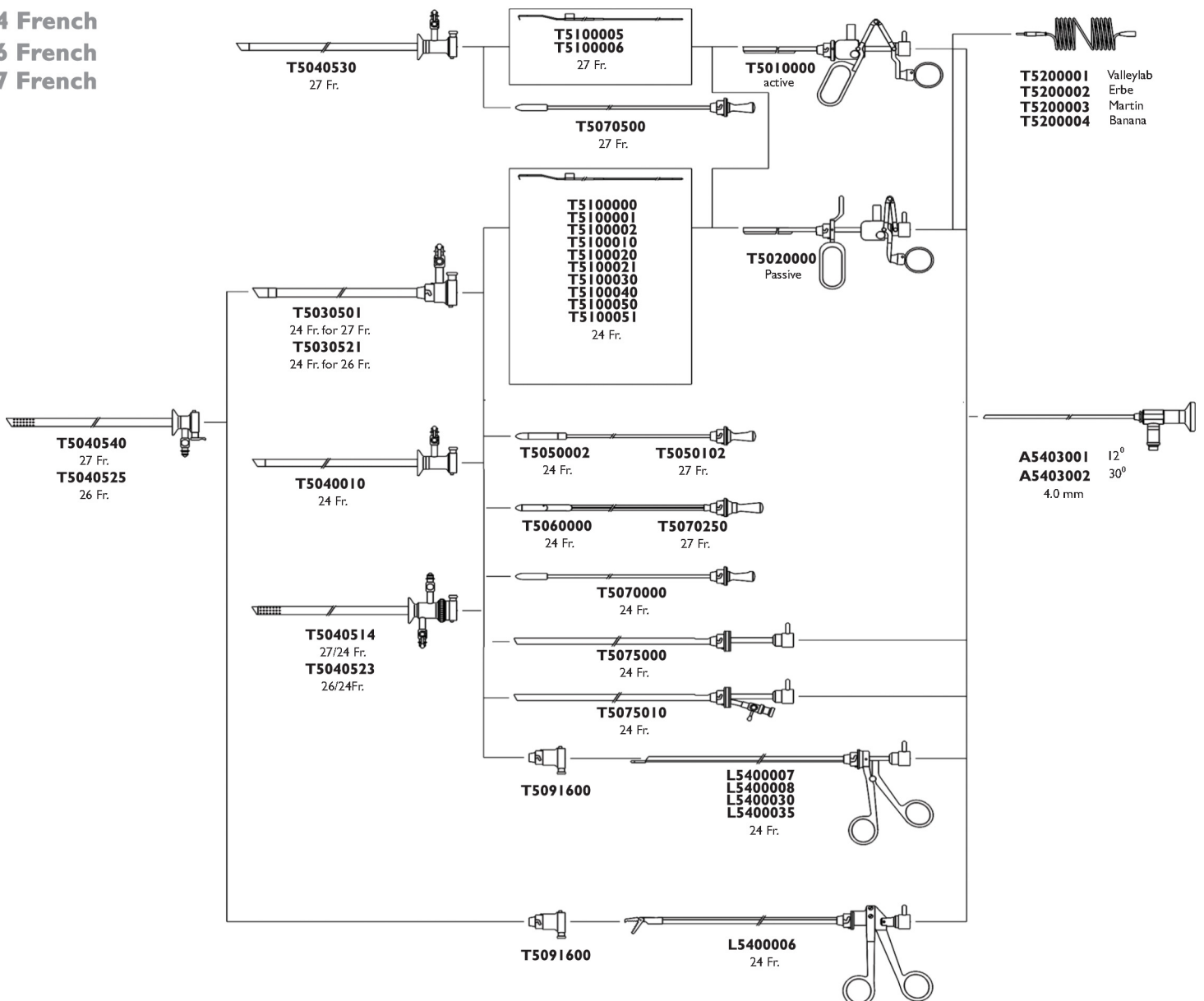


Stabilisation disc with lateral opening  
**T5200260**

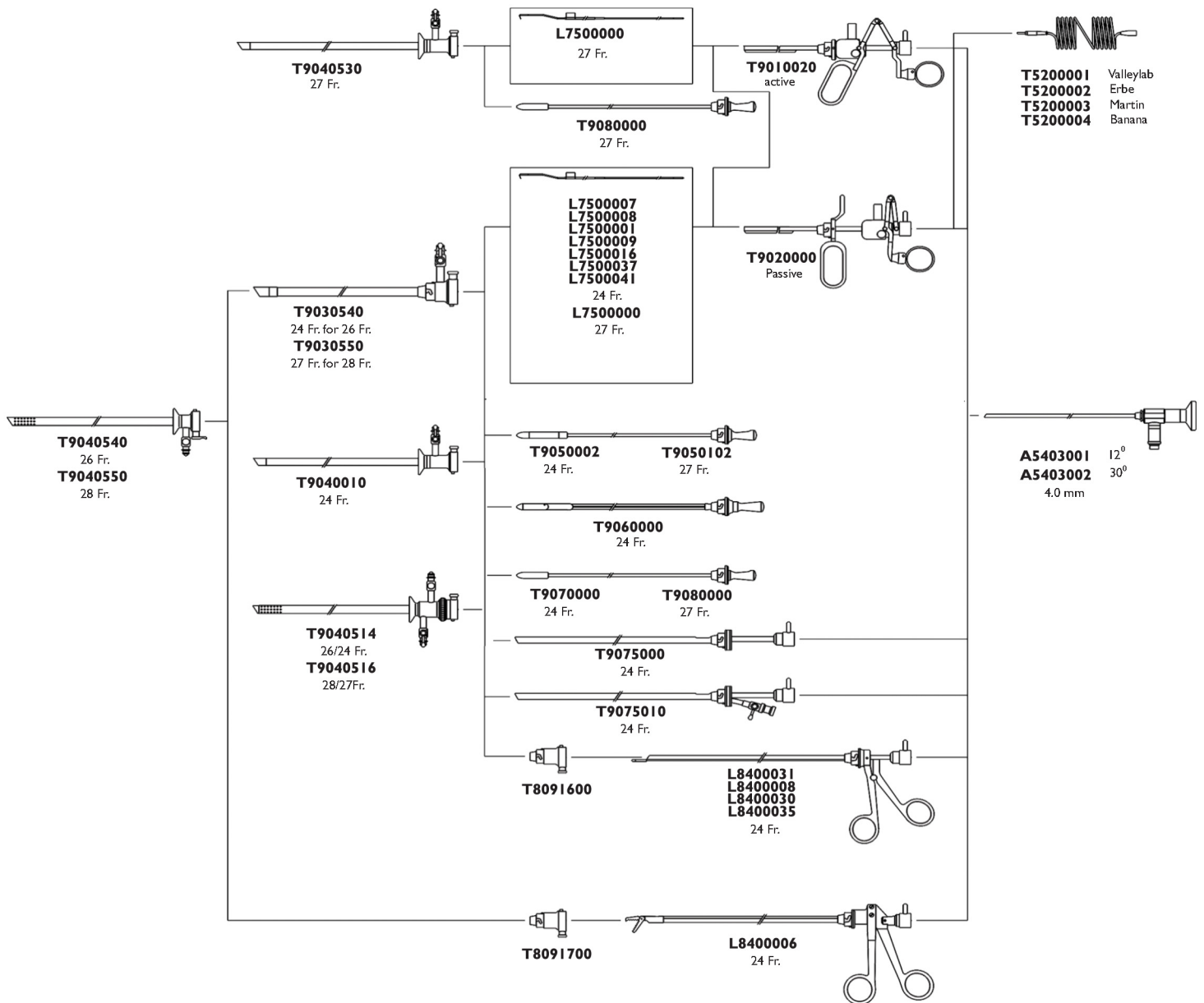
21 French  
24 French



24 French  
26 French  
27 French



24 French  
26 French  
27 French  
28 French





Cutting loop, angled

	Wire diameter	
<b>T5100007</b>	0,35 mm	21 Fr.
<b>T5100008</b>	0,25 mm	24 Fr.
<b>T5100000</b>	0,35 mm	24 Fr.
<b>T5100005</b>	0,35 mm	27 Fr.



Cutting loop, straight

	Wire diameter	
<b>T5100001</b>	0,35 mm	24 Fr.
<b>T5100006</b>	0,35 mm	27 Fr.



Cutting loop, angled 90°

	Wire diameter	
<b>T5100002</b>	0,35 mm	24 Fr.



Coagulating electrode, pointed

<b>T5100011</b>	21 Fr.
<b>T5100010</b>	24 Fr.



Vaporization electrode, roller

<b>T5100020</b>	3 mm	24 Fr.
<b>T5100021</b>	5 mm	24 Fr.



Coagulating electrode, conical

<b>T5100030</b>	24 Fr.
-----------------	--------



Coagulation electrode, roller

<b>T5100040</b>	3 mm	24 Fr.
-----------------	------	--------



Coagulating electrode, ball shaped

<b>T5100052</b>	3 mm	21 Fr.
<b>T5100050</b>	3 mm	24 Fr.
<b>T5100051</b>	5 mm	24 Fr.

**Note :** Identify your electrosurgical generator brand and required cable length 3 meter or 5 meter .



**Cutting loop, angled**  
Wire diameter  
**L7500007** 0,35 mm 24 Fr.



**Cutting loop, straight**  
Wire diameter  
**L7500008** 0,35 mm 24 Fr.



**Cutting loop, angled**  
Wire diameter  
**L7500000** 0,35 mm 27 Fr.



**Coagulating electrode, ball shaped**  
**L7500001** 3 mm 24 Fr.



**Coagulating electrode, pointed**  
**L7500009** 24 Fr.



**Coagulating electrode, roller**  
**L7500016** 3 mm 24 Fr.

**Note :** Identify your electrosurgical generator brand and required cable length 3 meter or 5 meter .



**Monopolar button electrode**  
length 45cm  
**L5400046** 3 Fr.  
**L5400047** 4 Fr.  
**L5400009** 5 Fr.  
**L5400010** 6 Fr.  
**L5400011** 7 Fr.



**Monopolar needle electrode**  
length 45cm  
**L5400048** 3 Fr.  
**L5400013** 5 Fr.  
**L5400014** 7 Fr.



**Monopolar loop electrode**  
length 45cm  
**L5400017** 5 Fr.  
**L5400015** 7 Fr.

**Note :** Identify your electrosurgical generator brand and required cable length 3 meter or 5 meter .



Loop, dented  
Size 1

**T5800120** 13.5 Fr.  
**T5810120** 11 Fr.



Loop, dented  
Size 2

**T5800130** 13.5 Fr.  
**T5810130** 11 Fr.



Knife

**T5800140** 13.5 Fr.  
**T5810140** 11 Fr.



Ball

**T5800150** 13.5 Fr.  
**T5810150** 11 Fr.

**Note :** Identify your electrosurgical generator brand and required cable length 3 meter or 5 meter .