

Infant straight forward telescope 0°

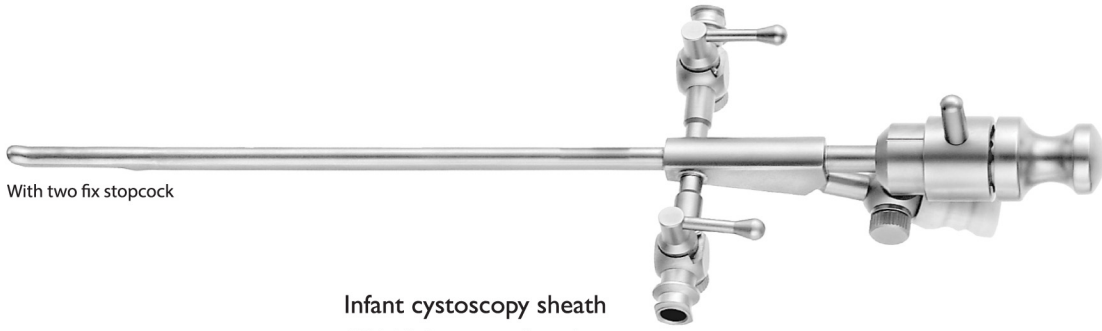
Code	Length	Diameter
A5211870	186 mm	1.9 /2.1 mm



Miniature

Code	Length	Diameter	Notes
A5271870	186 mm	2.7 mm	Straight forward telescope 0°
A5271872	187 mm	2.7 mm	Forward oblique telescope 30°
A5271875	188 mm	2.7 mm	Lateral telescope 70°

Pediatric cystoscopy



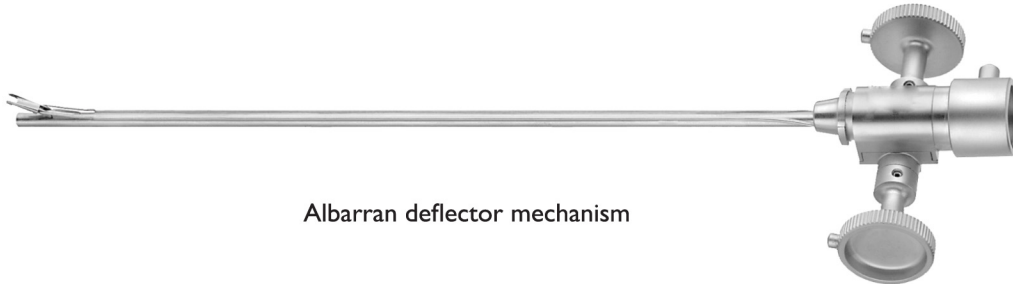
With two fix stopcock

Infant cystoscopy sheath
With 3 Fr. instrument channel

Code	Length	Diameter	Notes
T6810101	111 mm	11 FR	To use with 1.8 / 2.1 mm telescope 0° ref. A5211870
T6800100	111 mm	13.5 FR	To use with 2.7 mm telescope 30° & 70° ref. A5271872 & A5271875



Standard obturator
T6810101 11 Fr. Infant
T6800110 13.5 Fr. Pediatric



Albarran deflector mechanism

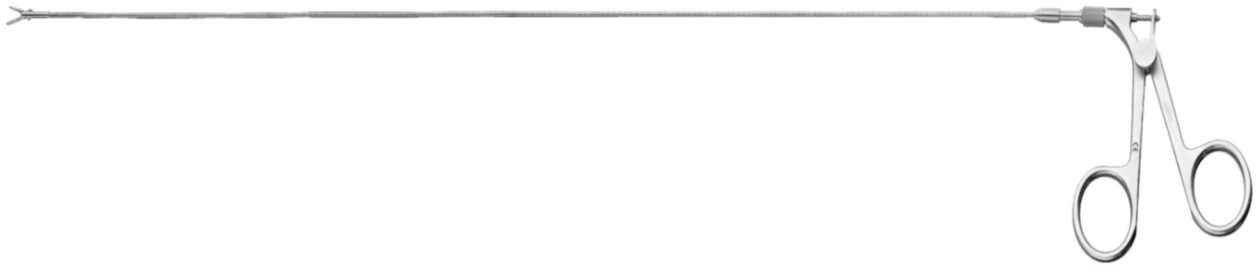
Code	Notes
T6810000	To use with 1.9 / 2.1 mm infant telescope ref. A5211870
T6800000	To use with 2.7 mm pediatric telescope ref. A5271872 & A5271875



Adapter bridge for diagnostic

Code	Type	Notes
T6810150	Infant	To use with 1.9 / 2.1 mm infant telescope ref. A5211870
T6800150	Pediatric	To use with 2.7 mm pediatric telescope ref. A5271872 & A5271875

Flexible instrumentation



Flexible forceps for removal of foreign body

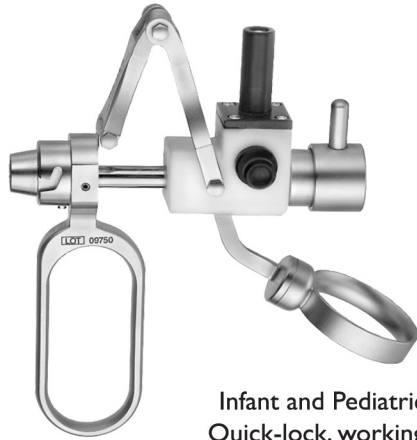
Double action jaws, autoclavable,
length 30 cm
L5800001 3 Fr.



Flexible biopsy forceps

Double action jaws, autoclavable
length 30 cm
L5800003 3 Fr.

Pediatric resectoscopy



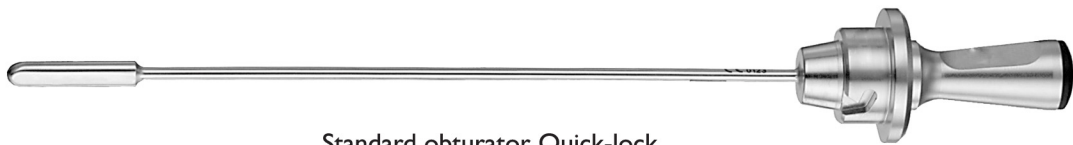
Infant and Pediatric passive Quick-lock, working element
 To use with 1.8 / 2.1 mm telescope 0° ref. A5211870
 and 2.7 mm telescope 0 ref. A5271870



With one fix stopcock

Resectoscopy sheath, Quick-lock

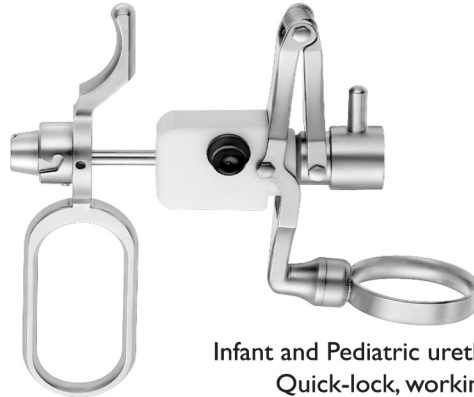
Code	Type	Length	Diameter	Notes
T5810101	Infant	111 mm	11 FR	To use with 1.8 / 2.1 mm telescope 0° ref. A5211870
T6800100	Pediatric	111 mm	13.5 FR	To use with 2.7 mm telescope 30° & 70° ref. A5271872 & A5271875



Standard obturator, Quick-lock

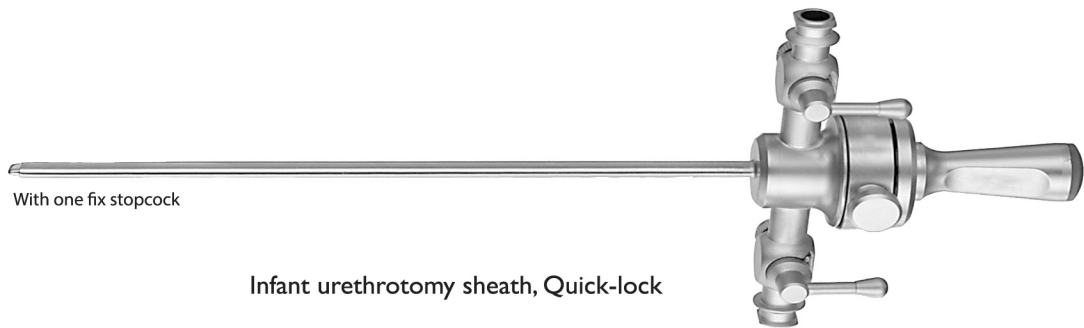
- T5810111 11 Fr. Infant
- T5800110 13.5 Fr. Pediatric

Quick-lock - Pediatric urethrotomy



Infant and Pediatric urethrotome passive
Quick-lock, working element

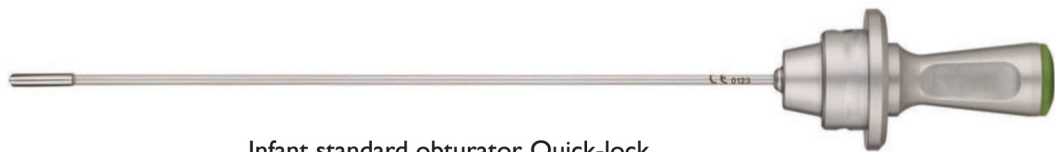
To use with 1.8 / 2.1 mm telescope 0° ref. A5211870
and 2.7 mm telescope 0° ref. A5271870



With one fix stopcock

Infant urethrotomy sheath, Quick-lock

Code	Length	Diameter	Notes
T5810102	109 mm	10 FR	To use with 1.9 / 2.1 mm telescope 0° ref. A5211870



Infant standard obturator, Quick-lock

T5810112 10 Fr.

Quick-lock - Pediatric urethrotomy



Quick-lock, Pediatric adapter bridge for diagnostic

Code	Working channel	Notes
T5810103	3 Fr.	To use with 2.7 mm telescope 0° ref A5271870



Quick-lock, Pediatric urethrotomy Knife
Straight, cold cutting
T5810121

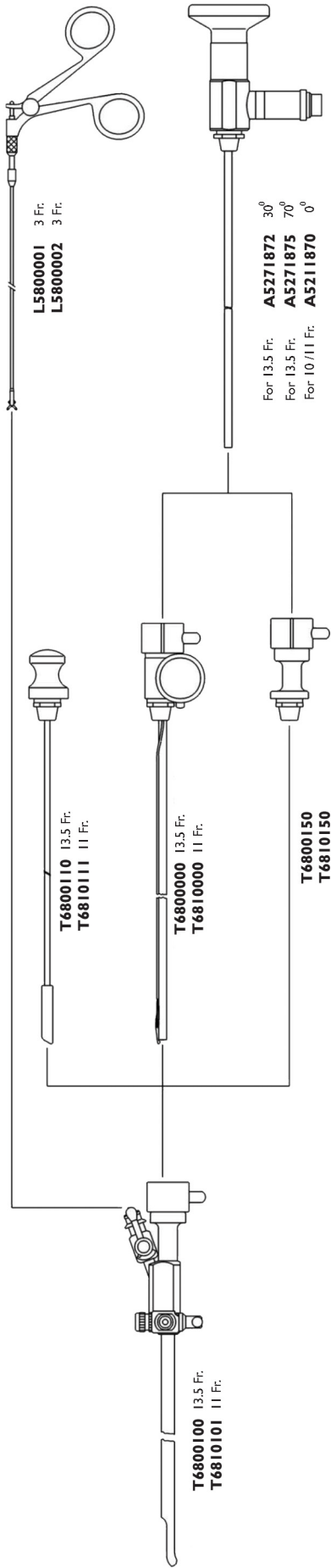


Quick-lock, Pediatric urethrotomy Knife
Semi round, cold cutting
T5810122

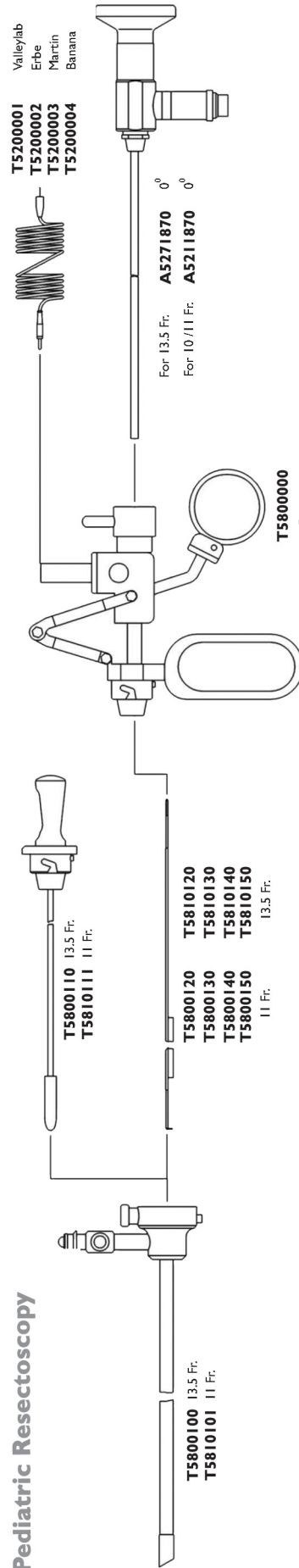


Quick-lock, Pediatric urethrotomy Knife
Sickle shaped, cold cutting
T5810123

Pediatric Cystoscopy



Pediatric Resectoscopy



Pediatric urethrotomy

